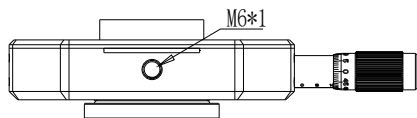
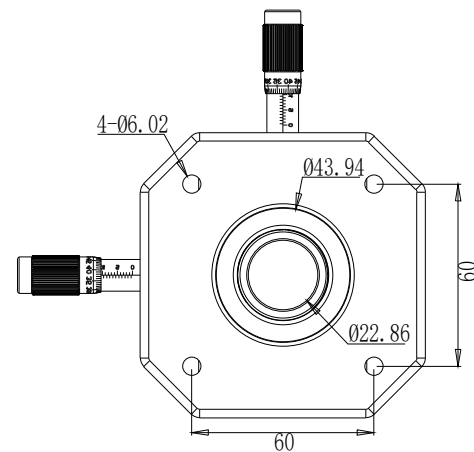
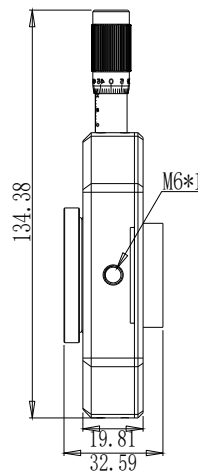
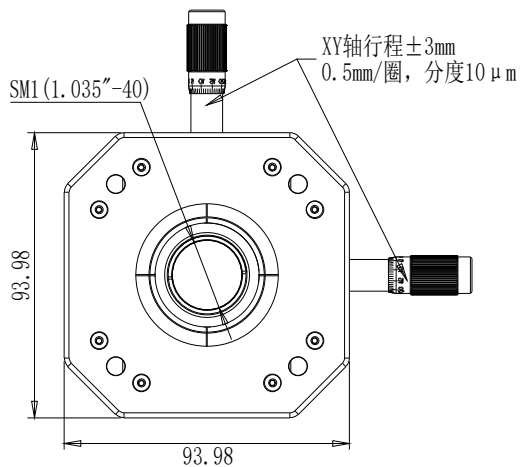


Z轴行程±1.5mm
0.5mm/格



DRAWING PROJECTION		 Oeabt Optics Experiment and Basic Teaching	
DATE	26/07/01		
XYZ2-M			
www.Oeabt.com		MATERIAL #	REV
COPYRIGHT ©2026 BY Oeabt			A
VALUE IN PARENTHESIS ARE CALCULATED AND MAY CONTAIN ROUND OFF ERRORS			APPROX WEIGHT kg