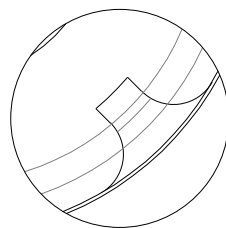
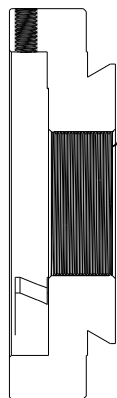


8-M4 利用2.0mm扳手拧紧



细节 A
比例2.000

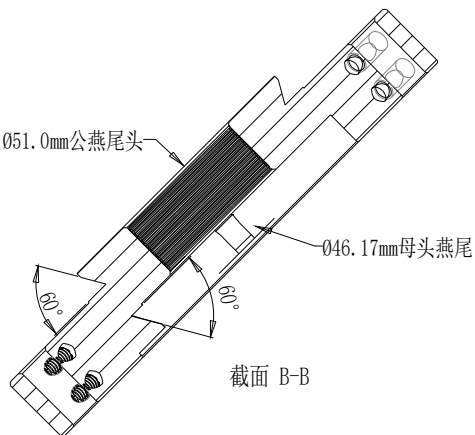


截面 A-A

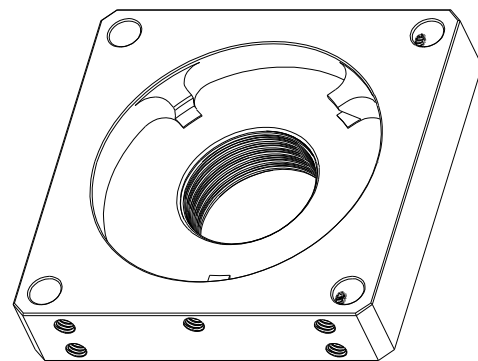
SM1 (1.035"-40)


Ø51.0mm公燕尾头

Ø46.17mm母头燕尾



截面 B-B



DRAWING PROJECTION Φ		 Optics Experiment and Basic Teaching	
DATE	12/08/23		
MCP-D2-1.5B			
www.Oeabt.com	MATERIAL #		REV
COPYRIGHT ©2019 BY Oeabt			A
VALUE IN PARENTHESIS ARE CALCULATED AND MAY CONTAIN ROUND OFF ERRORS		APPROX WEIGHT	kg