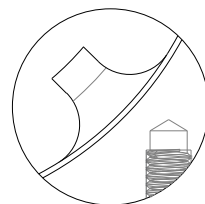
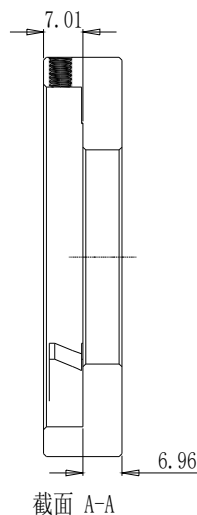
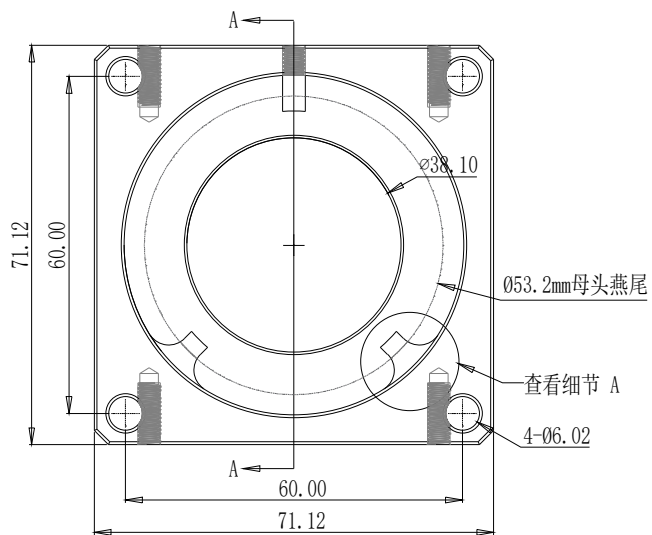
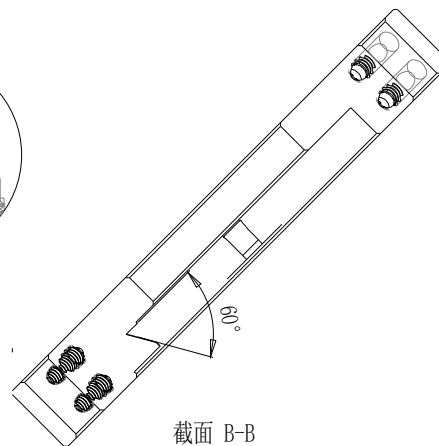
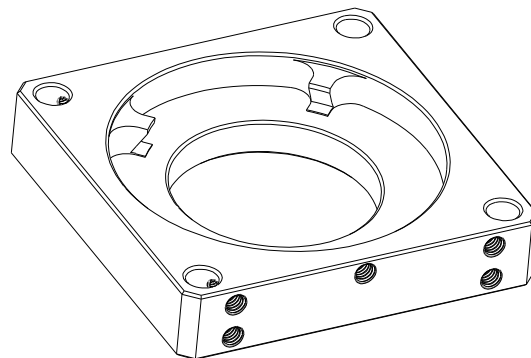



8-M4 利用2.0mm扳手拧紧



细节 A  
比例 2.000



DRAWING		 <b>Optics Experiment and Basic Teaching</b>	
PROJECTION $\Phi$			
DATE	11/08/23	MCP-D2B	
www.Oeabt.com		MATERIAL #	REV
COPYRIGHT © 2019 BY Oeabt			A
VALUSE IN PARENTHESIS ARE CALCULATED AND MAY CONTAIN ROUNDFF ERRORS			APPROX WEIGHT kg