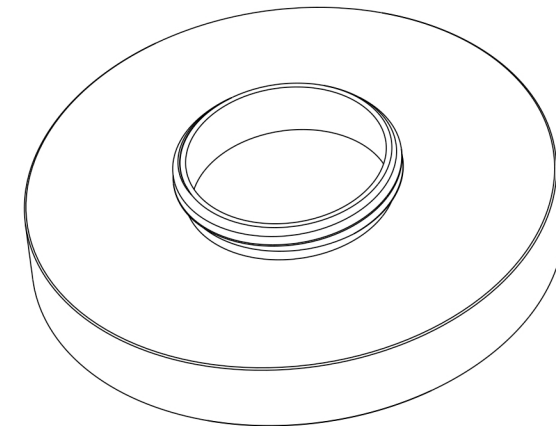



截面 A-A



DRAWING PROJECTION $\oplus \rightarrow$			
DATE	03/04/2023		
CSM05-1B			
www.Oeabt.com	MATERIAL #		REV
COPYRIGHT © 2023 BY Oeabt			A
VALUE IN PARENTHESIS ARE CALCULATED AND MAY CONTAIN ROUND OFF ERRORS		APPROX WEIGHT	kg