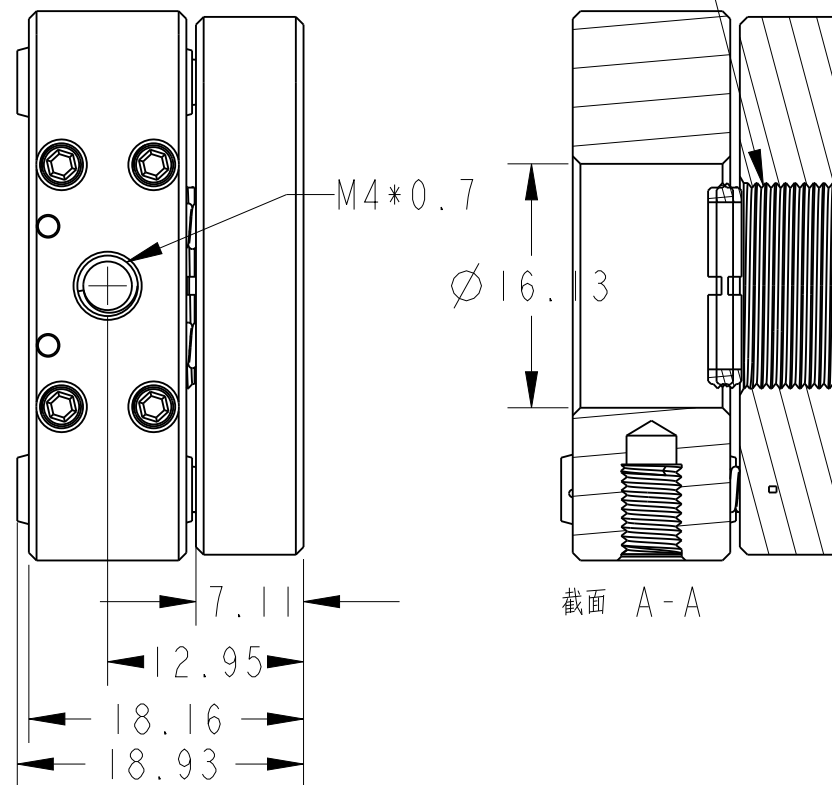
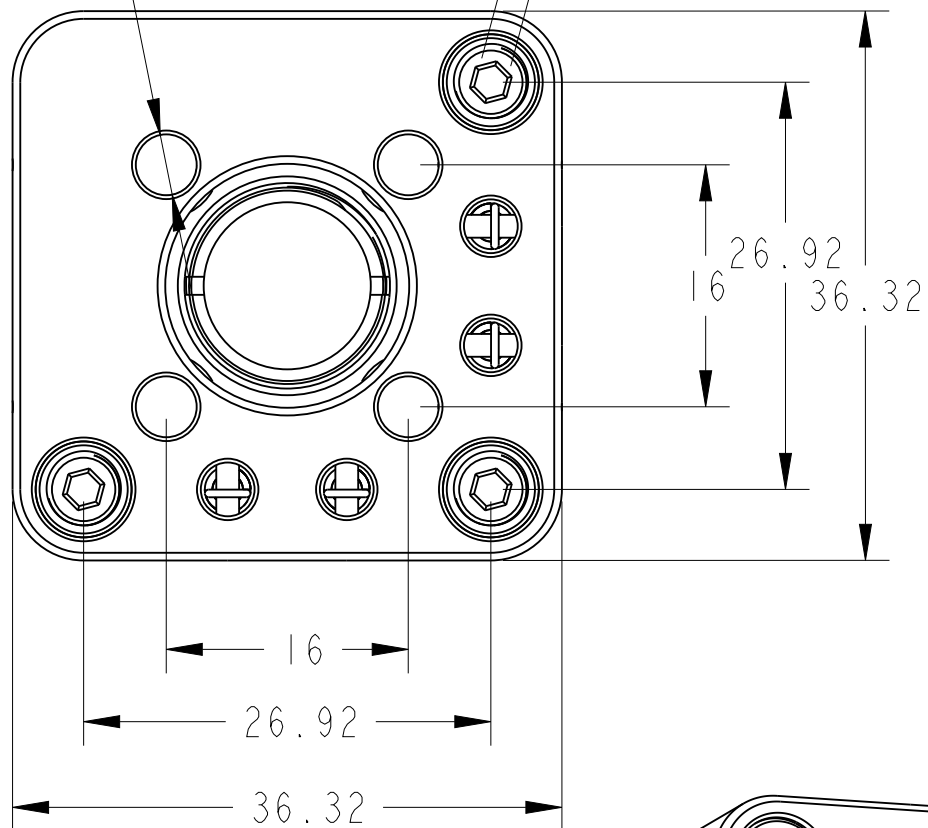


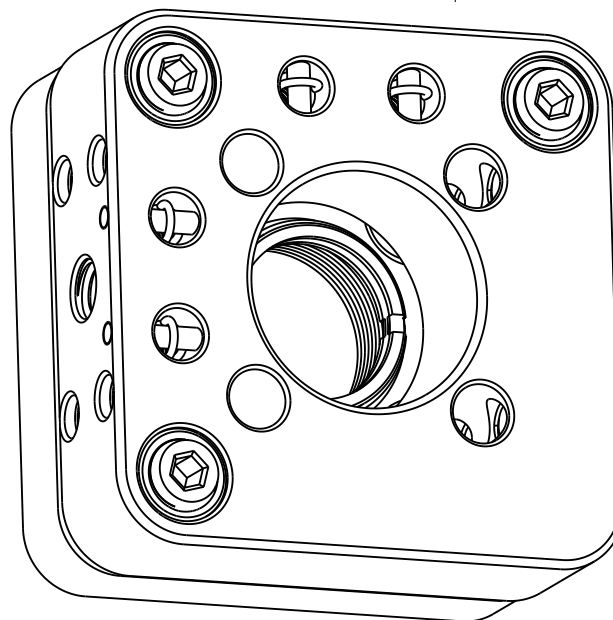
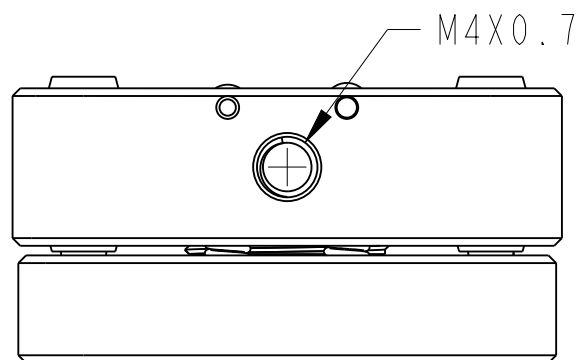
Ø 4.03

2

此牙为SM05(0.535" - 40)



截面 A-A



DRAWING PROJECTION			Optics Experiment and Basic Teaching	
DATE	23/04/23			
MC-T05-简图				
www.Oeabt.com		MATERIAL #		REV
COPYRIGHT © 2023 BY Oeabt				A
VALUE IN PARENTHESIS ARE CALCULATED AND MAY CONTAIN ROUND OFF ERRORS			APPROX WEIGHT	kg