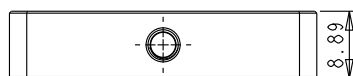
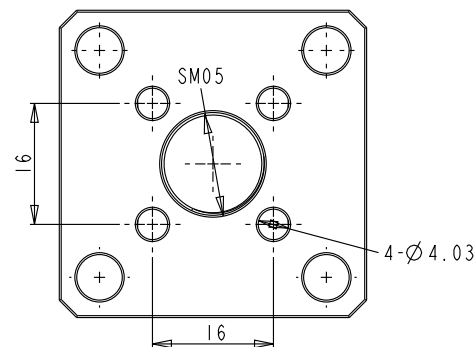


2-M3X0.5▽10  
两侧面一样



2-M3\*0.5▽10  
两侧面相同



DRAWING PROJECTION	
DATE	20/03/2023



CSJ-05A

www.Oeabt.com	MATERIAL #		REV
COPYRIGHT © 2023 BY Oeabt			A
VALUE IN PARENTHESIS ARE CALCULATED AND MAY CONTAIN ROUND OFF ERRORS		APPROX WEIGHT	kg