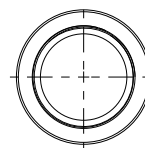
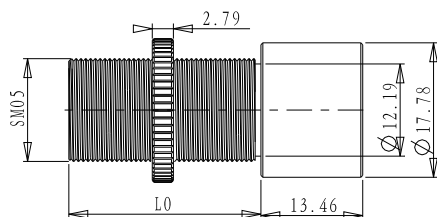
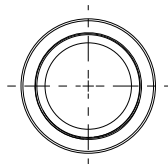
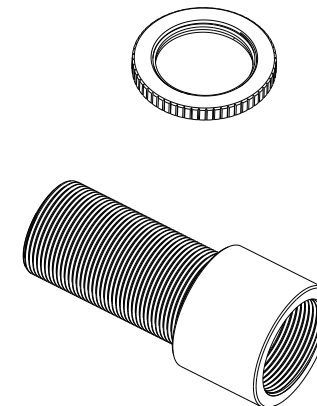



截面 A-A



ITEM	L0
V05	12.7
V10	25.4

DRAWING PROJECTION $\oplus \rightarrow$			
DATE	11/02/2023		
CSM05-T系列			
www.Oeabt.com		MATERIAL #	REV
COPYRIGHT © 2023 BY Oeabt			A
VALUE IN PARENTHESIS ARE CALCULATED AND MAY CONTAIN ROUND OFF ERRORS			APPROX WEIGHT kg