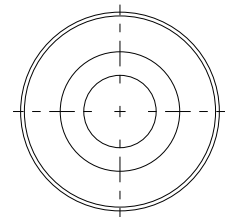
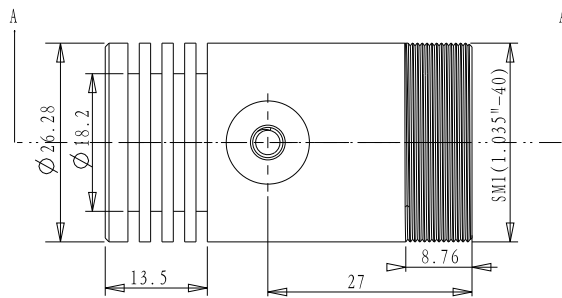
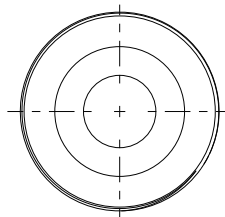
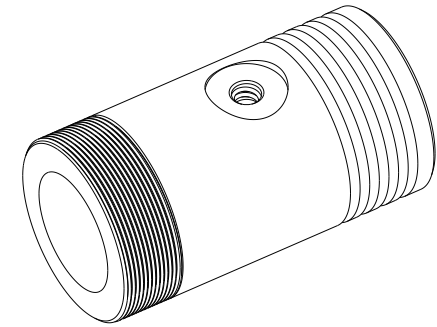


截面 A-A



DRAWING PROJECTION Φ			
DATE	25/09/2021		
BDR1L			
www.Oeabt.com	MATERIAL #		REV
COPYRIGHT © 2021 BY Oeabt			A
VALUE IN PARENTHESIS ARE CALCULATED AND MAY CONTAIN ROUND OFF ERRORS		APPROX WEIGHT	kg