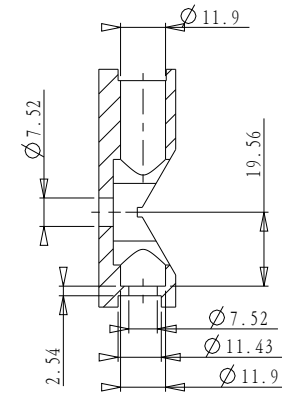
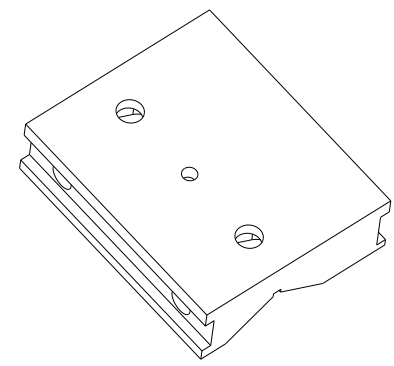
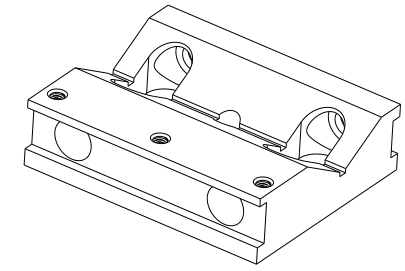
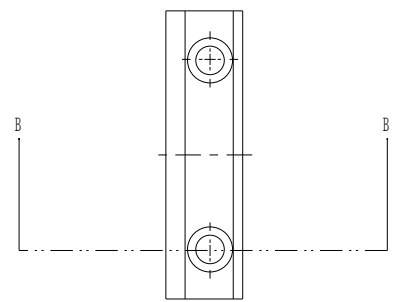
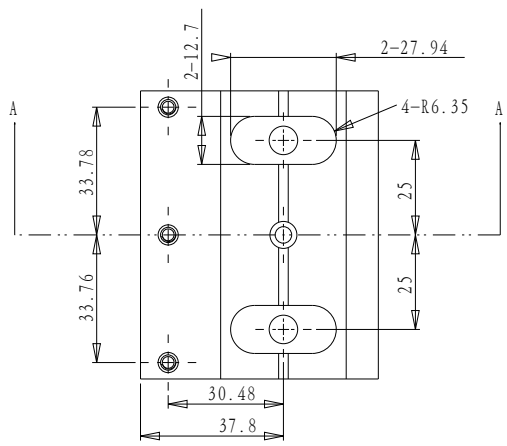


截面 A-A



截面 B-B



- 技术要求:
1. 材料规格: 铝合金AL7075
 2. 外观要求: 表面光洁, 平整, 无碰划伤锐边磨圆, 未注倒角为C0.3
 3. 未注公差; 按GB1804-f。
 4. 氧化黑色

DRAWING PROJECTION		 Oeabt Optics Experiment and Basic Teaching	
DATE	3/12/19		
VB-1_1			
www.Oeabt.com	MATERIAL #		REV
COPYRIGHT © 2019 BY Oeabt			A
VALUE IN PARENTHESIS ARE CALCULATED AND MAY CONTAIN ROUND OFF ERRORS		APPROX WEIGHT	kg