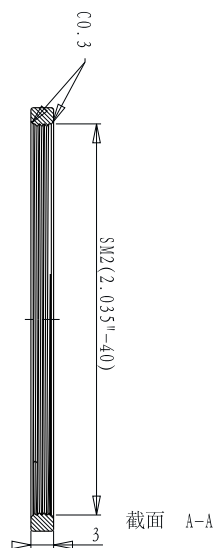
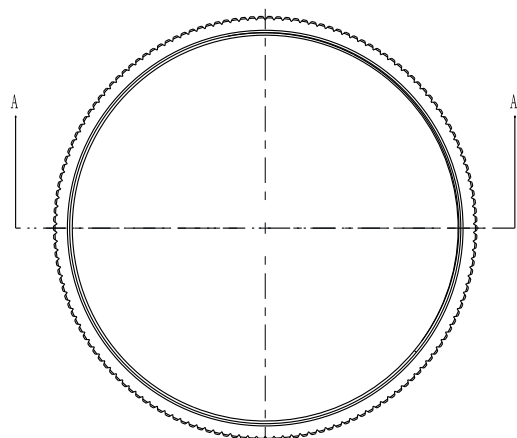
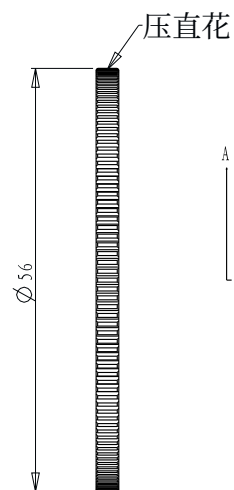
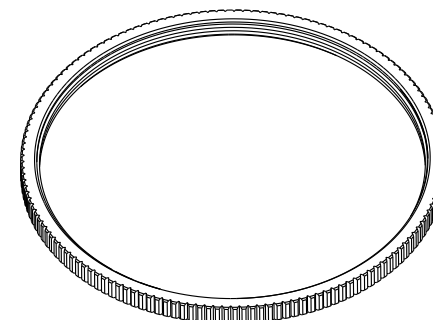
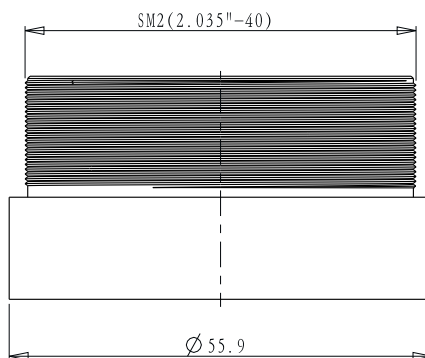
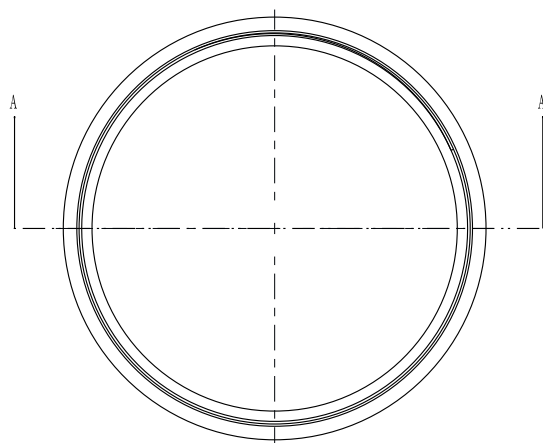
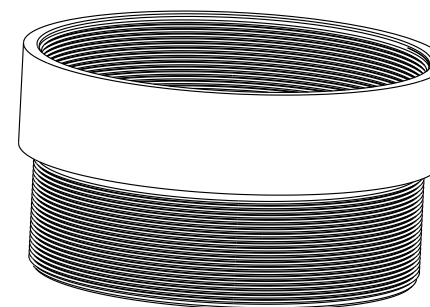


截面 A-A

ITEM	L0
L1	8mm
L2	16mm
L3	24mm



截面 A-A

DRAWING PROJECTION $\oplus \rightarrow$			
DATE	12/09/20		
CSM2-T系列			
www.Oeabt.com	MATERIAL #		REV
COPYRIGHT © 2020 BY Oeabt			A
VALUE IN PARENTHESIS ARE CALCULATED AND MAY CONTAIN ROUND OFF ERRORS		APPROX WEIGHT	kg