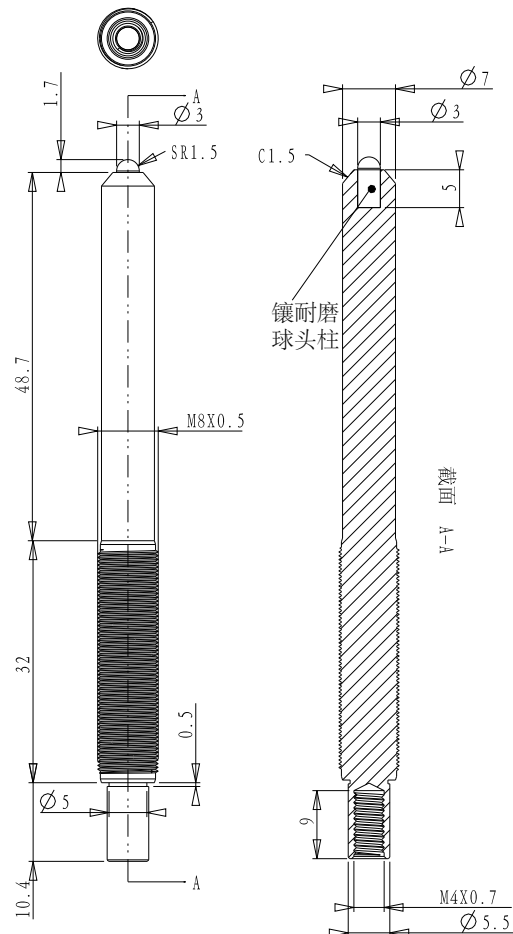
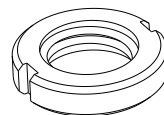
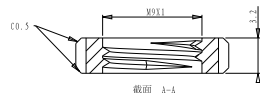
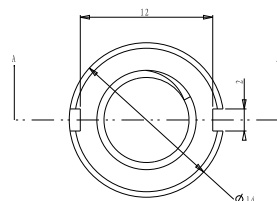
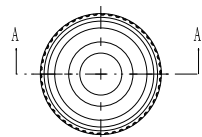
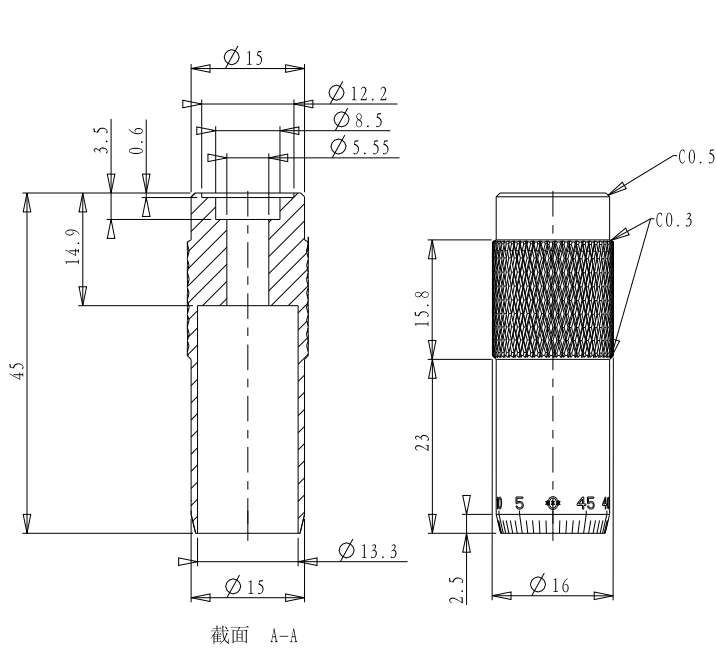
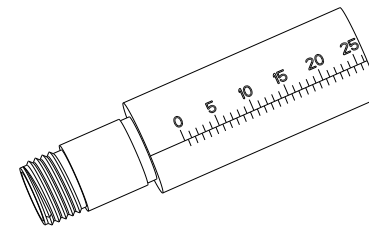
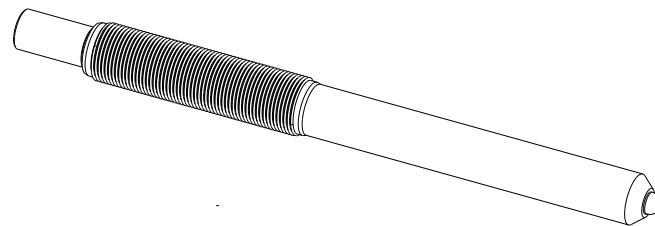
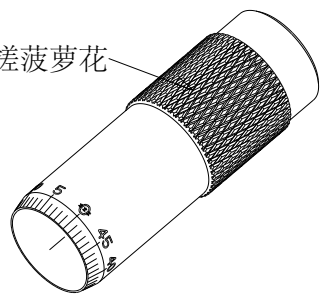
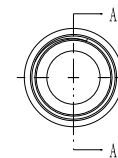
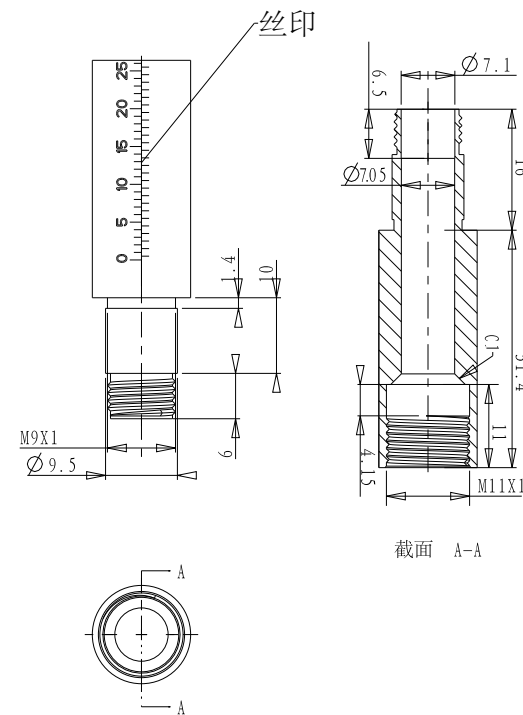



搓菠萝花



镶耐磨球头柱



DRAWING PROJECTION $\Phi$ $\blacktriangleright$			
DATE	20/07/20		
SM25			
www.Oeabt.com	MATERIAL #		REV
COPYRIGHT © 2020 BY Oeabt			A
VALUSE IN PARENTHESIS ARE CALCULATED AND MAY CONTAIN ROUND OFF ERRORS		APPROX WEIGHT	kg