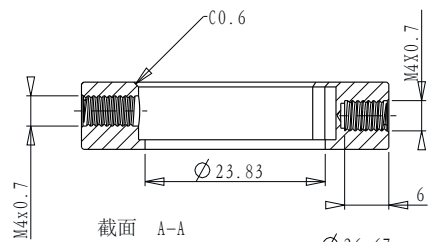
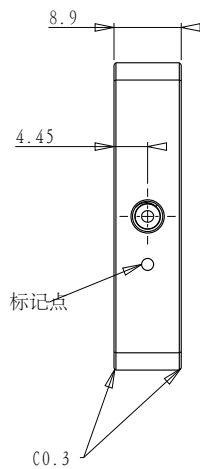


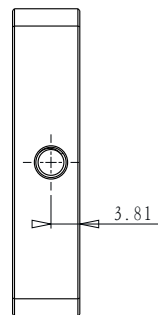
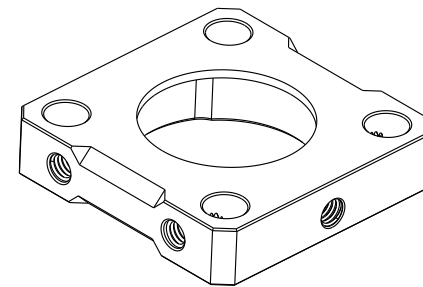
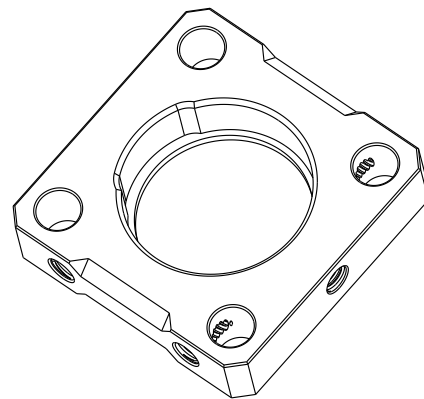
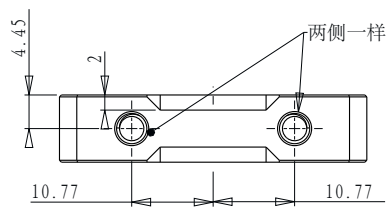
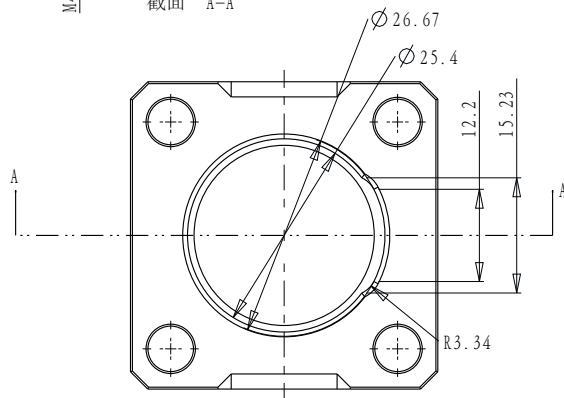
截面 B-B




截面 A-A



标记点



DRAWING PROJECTION \oplus \rightarrow			
DATE	12/05/20		
CSJ-25			
www.Oeabt.com	MATERIAL #		REV
COPYRIGHT © 2020 BY Oeabt			A
VALUE IN PARENTHESIS ARE CALCULATED AND MAY CONTAIN ROUND OFF ERRORS		APPROX WEIGHT	kg