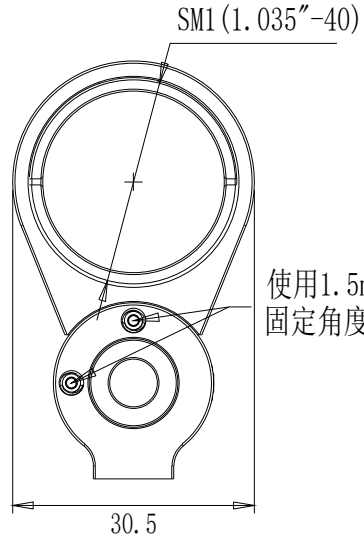
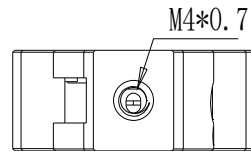
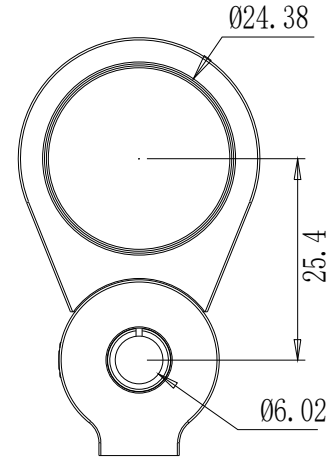
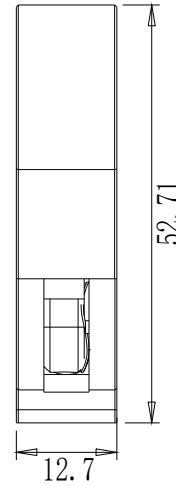


使用1.3mm扳手固定笼杆



使用1.5mm扳手  
固定角度位置



DRAWING PROJECTION		 Optics Experiment and Basic Teaching	
DATE	26/05/20		
FM90-T1			
www.Oeabt.com	MATERIAL #		REV
COPYRIGHT ©2026 BY Oeabt			A
VALUE IN PARENTHESIS ARE CALCULATED AND MAY CONTAIN ROUND OFF ERRORS		APPROX WEIGHT	kg