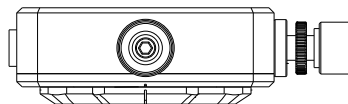
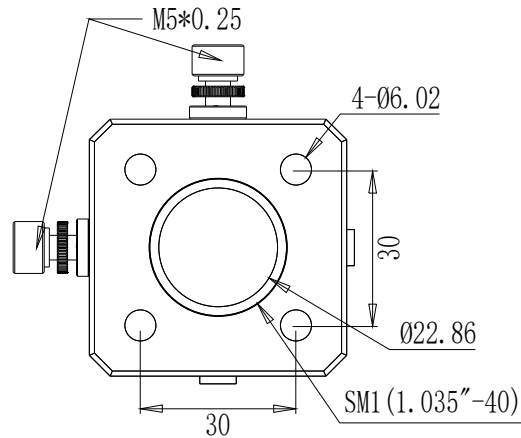
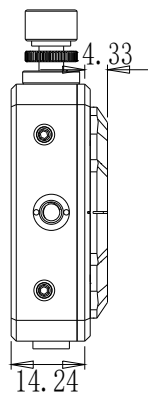
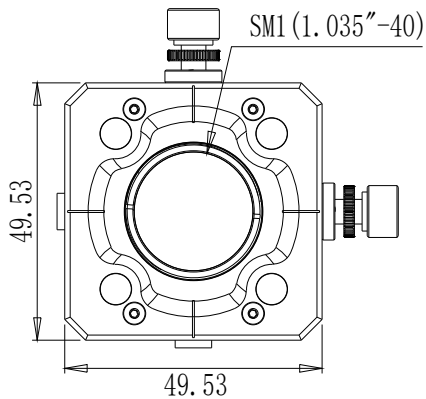



利用1.5mm扳手拧固位置



| | | | |
|---|------------|---|-----|
| DRAWING PROJECTION Φ | |  Optics Experiment and Basic Teaching | |
| DATE | 26/05/05 | | |
| CXV1-M系列 | | | |
| www.Oeabt.com | MATERIAL # | APPROX WEIGHT | REV |
| COPYRIGHT ©2026 BY Oeabt | | | A |
| VALUE IN PARENTHESIS ARE CALCULATED AND MAY CONTAIN ROUND OFF ERRORS | | | kg |