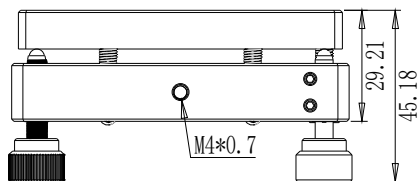
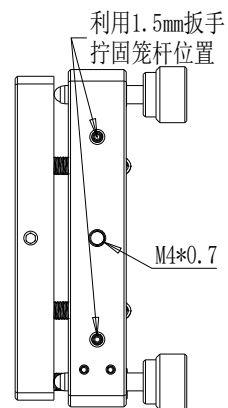
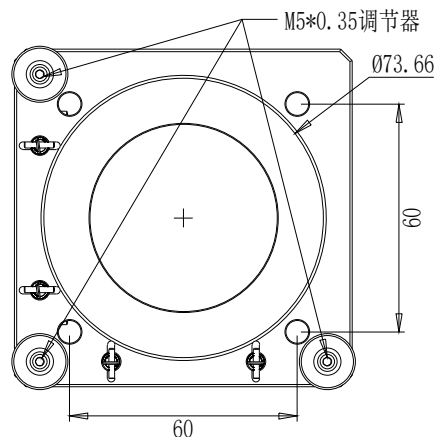
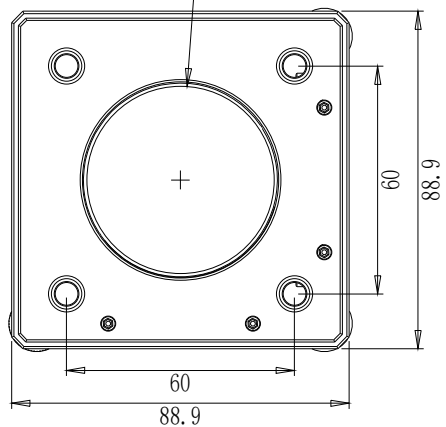
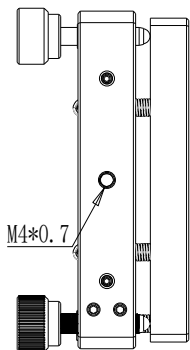


MC-T2: SM2 (2.035"-40) 螺孔
 MC-S2: Ø53.39平滑孔



DRAWING			
PROJECTION			
DATE	26/04/13	MC系列	
www.Oeabt.com	MATERIAL #		REV
COPYRIGHT ©2026 BY Oeabt			A
VALUE IN PARENTHESIS ARE CALCULATED AND MAY CONTAIN ROUND OFF ERRORS		APPROX WEIGHT	kg