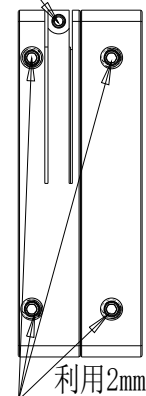
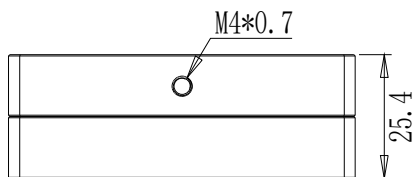
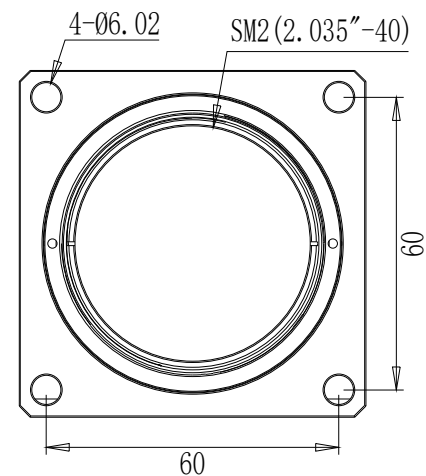
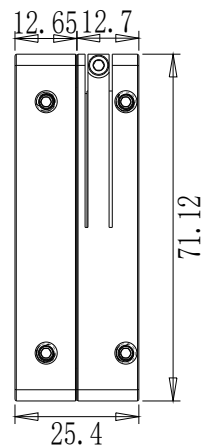
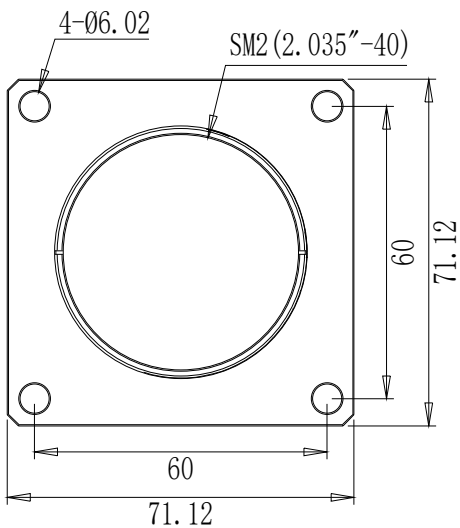




利用2mm扳手
锁定旋转位置



利用2mm拧固
笼杆位置



DRAWING		 Optics Experiment and Basic Teaching	
PROJECTION			
DATE	26/03/27	CSJ-R2	
www.Oeabt.com	MATERIAL #	COPYRIGHT ©2026 BY Oeabt	REV
VALUE IN PARENTHESIS ARE CALCULATED AND MAY CONTAIN ROUNDFF ERRORS			APPROX WEIGHT
			kg