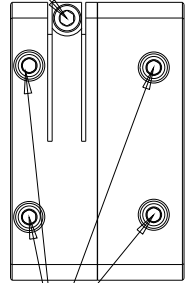
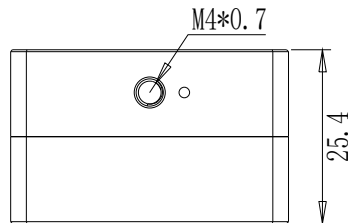
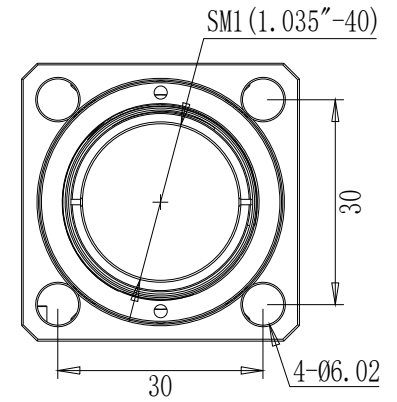
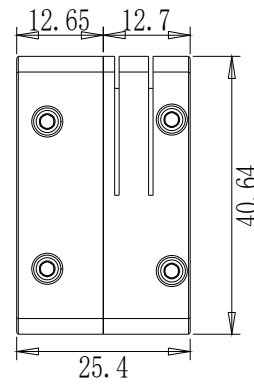
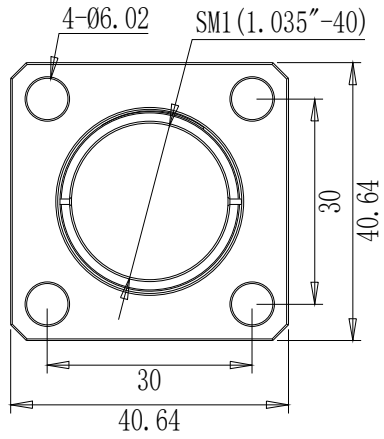


利用2mm扳手  
锁定旋转位置



利用2mm拧固  
笼杆位置



DRAWING PROJECTION		 Optics Experiment and Basic Teaching	
DATE	26/03/27		
CSJ-R1			
www.Oeabt.com	MATERIAL #		REV
COPYRIGHT ©2026 BY Oeabt			A
VALUSE IN PARENTHESIS ARE CALCULATED AND MAY CONTAIN ROUNDFF ERRORS		APPROX WEIGHT	kg