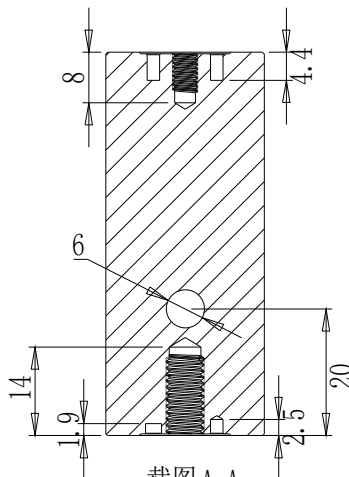
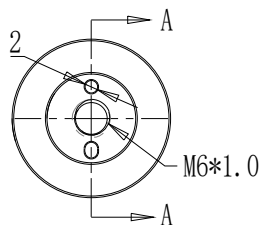


*除CR24.6-V外,
其它型号均为贯穿孔



截图 A-A

型号	L0
CR24.6-V	24.6
CR37.3-V	37.3
CR49.6-V	49.6
CR60.5-V	60.5
CR74.6-V	74.6
CR99.6-V	99.6



DRAWING PROJECTION Φ			
DATE	18/04/24		
CR-V系列			
www.Oeabt.com	MATERIAL #		REV
COPYRIGHT ©2024 BY Oeabt			A
VALUE IN PARENTHESIS ARE CALCULATED AND MAY CONTAIN ROUND OFF ERRORS		APPROX WEIGHT	kg