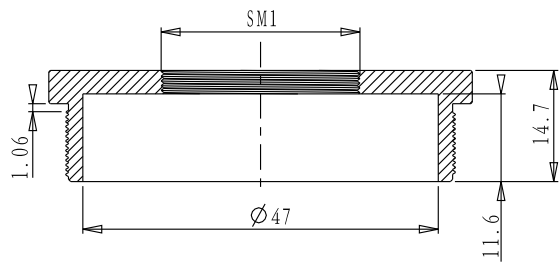
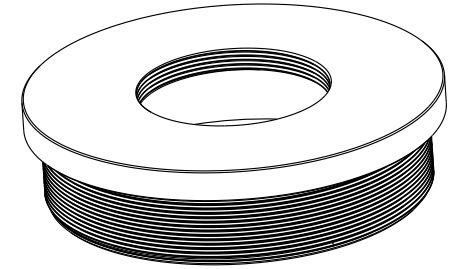
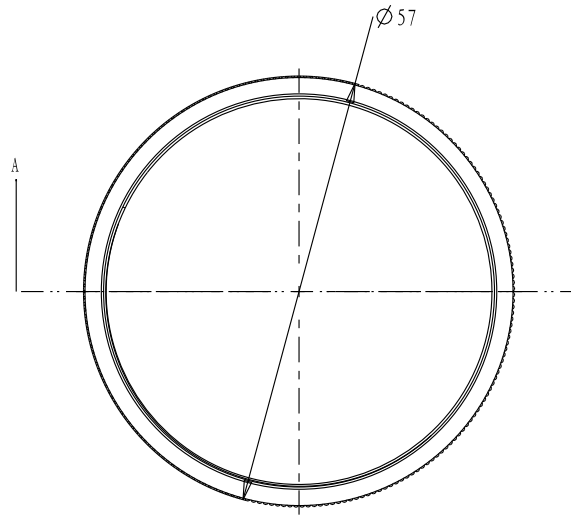


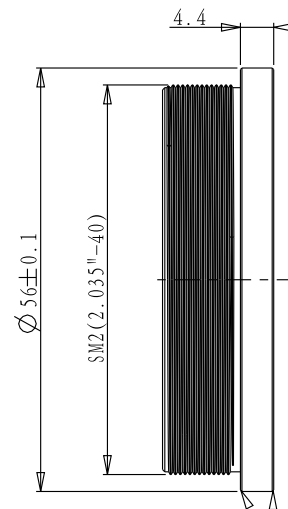
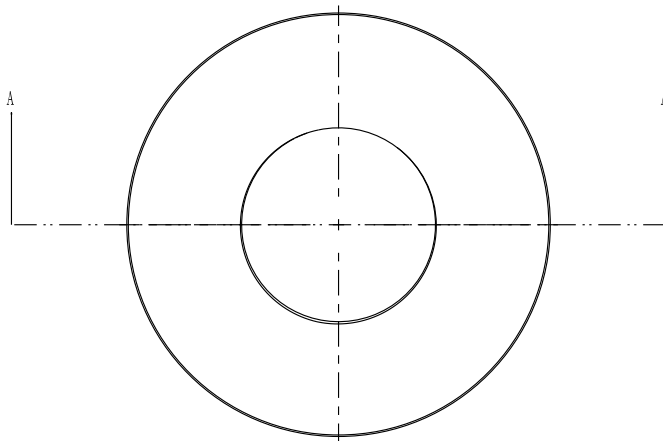
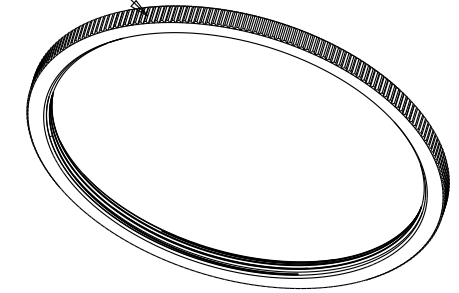
截面 A-A



截面 A-A



滚直花



DRAWING PROJECTION Φ		 Optics Experiment and Basic Teaching	
DATE	09/06/20		
CSM2-1B			
www.Oeabt.com	MATERIAL #		REV
COPYRIGHT © 2020 BY Oeabt			A
VALUE IN PARENTHESIS ARE CALCULATED AND MAY CONTAIN ROUND OFF ERRORS		APPROX WEIGHT	kg