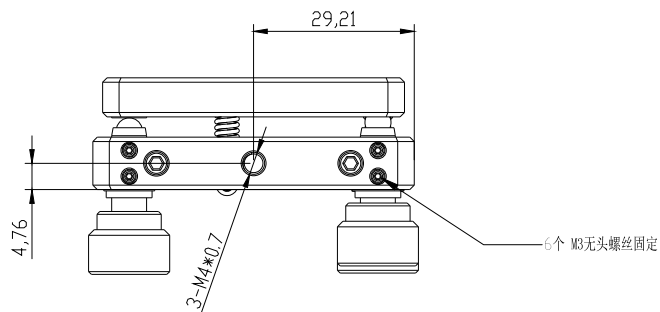
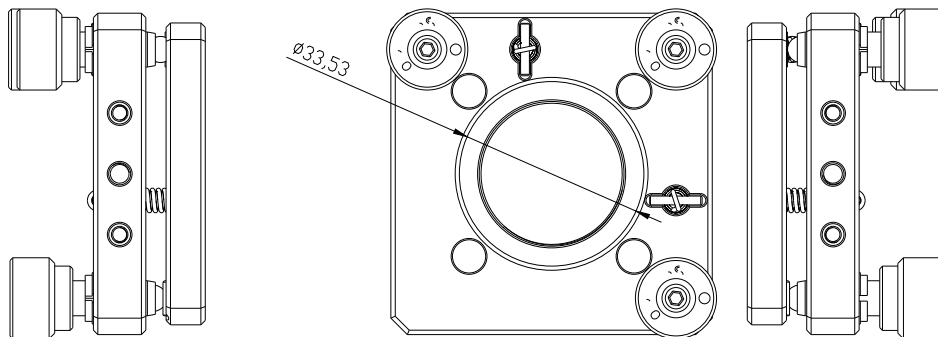
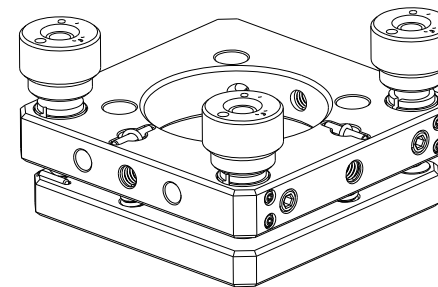
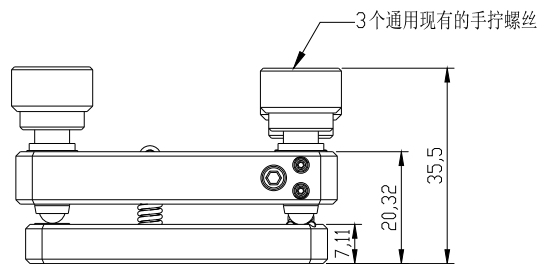
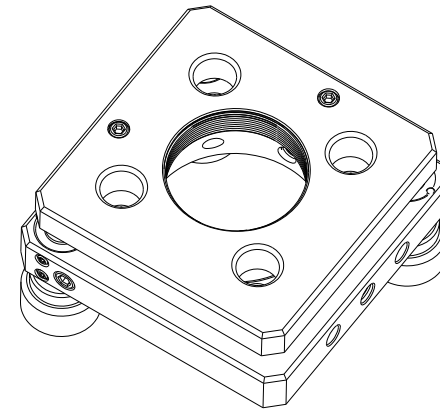



CAGE-ROD CLEARANCE BORES
ALLOW PIVOTING OF FRONT PLATE
WHEN ASSEMBLED
WITHIN A CAGE SYSTEM



DRAWING PROJECTION \oplus \blacktriangleright			
DATE	18/03/2021		
MC-T1			
www.Oeabt.com	MATERIAL #		REV
COPYRIGHT © 2021 BY Oeabt			A
VALUE IN PARENTHESIS ARE CALCULATED AND MAY CONTAIN ROUND OFF ERRORS			APPROX WEIGHT kg