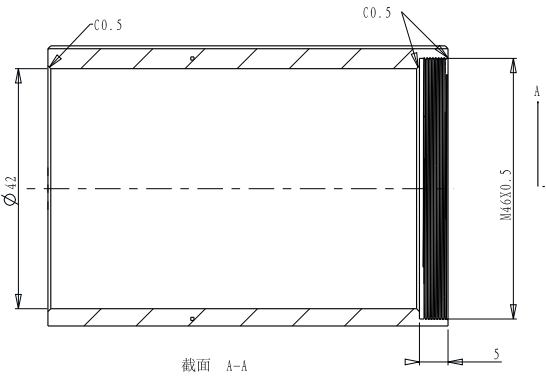


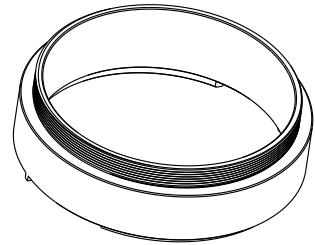
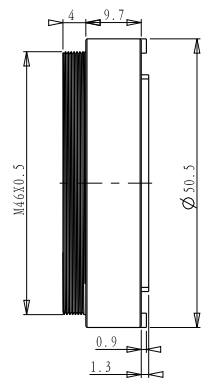
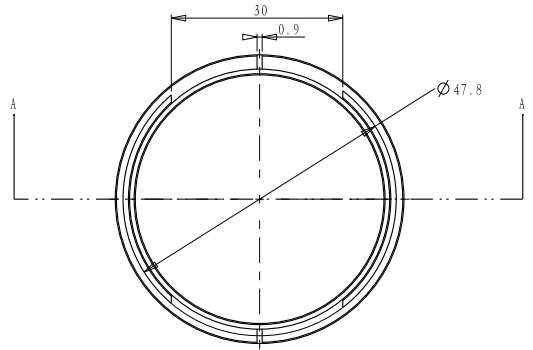
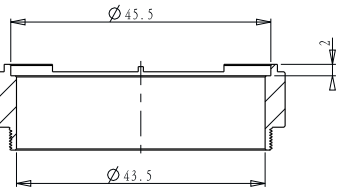
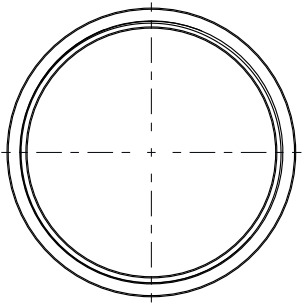
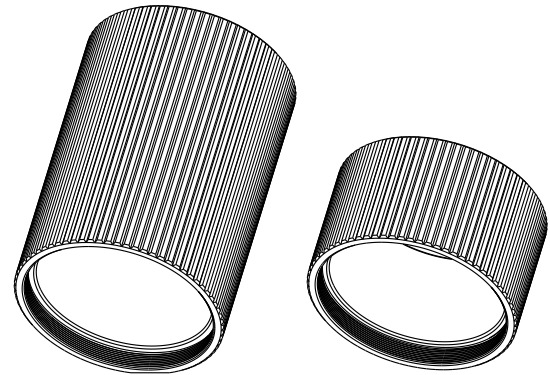
| ITEM | H0 |
|------|------|
| 30 | 30mm |
| 70 | 70mm |
| | |



截面 A-A



截面 A-A



| | |
|--------------------|----------|
| DRAWING PROJECTION | |
| DATE | 23/10/20 |



| | | | |
|---|------------|---------------|-----|
| SPRM-SM2系列 | | | |
| www.Oeabt.com | MATERIAL # | | REV |
| COPYRIGHT © 2020 BY Oeabt | | | A |
| VALUSE IN PARENTHESIS ARE CALCULATED AND MAY CONTAIN ROUND OFF ERRORS | | APPROX WEIGHT | kg |