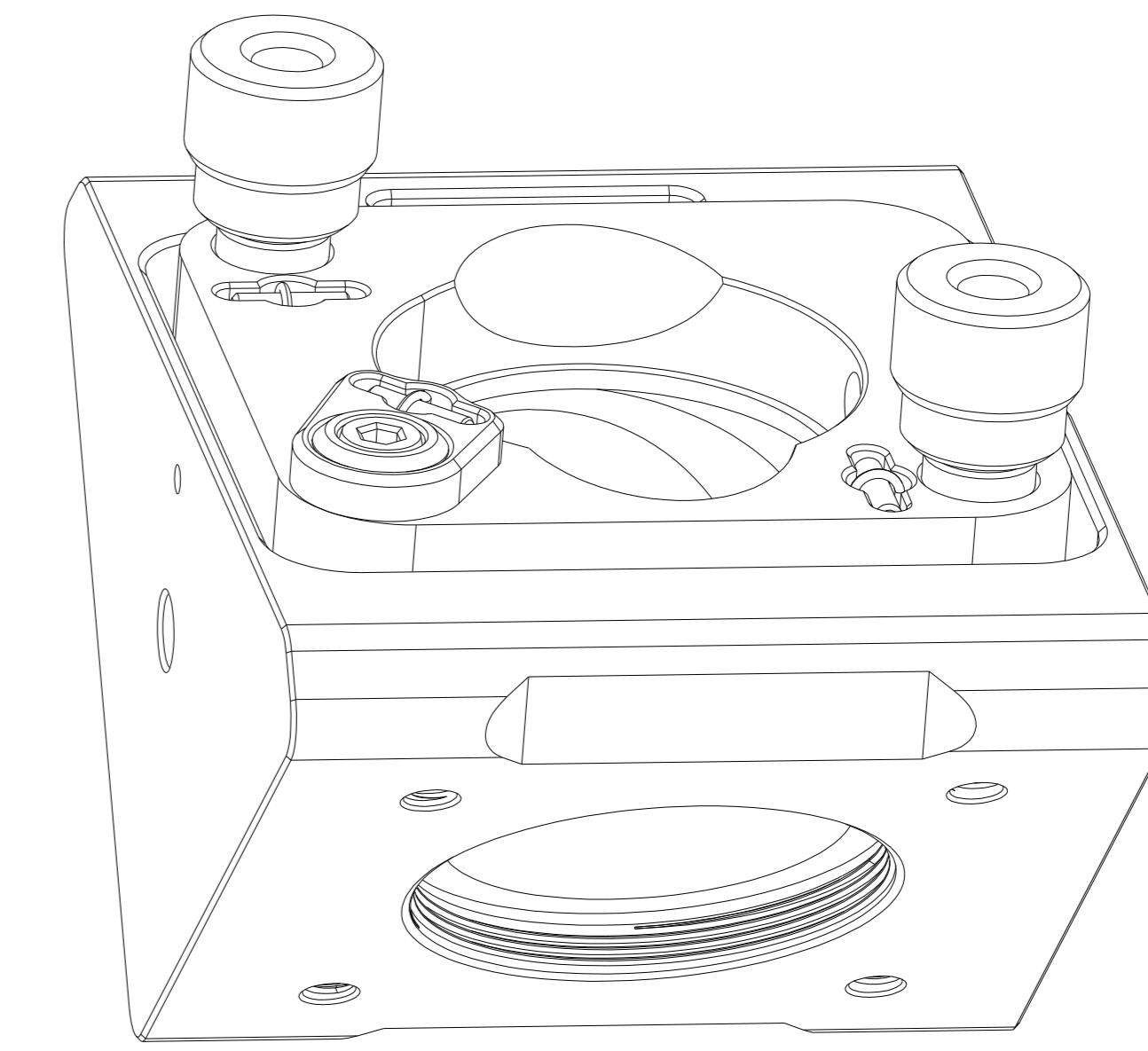
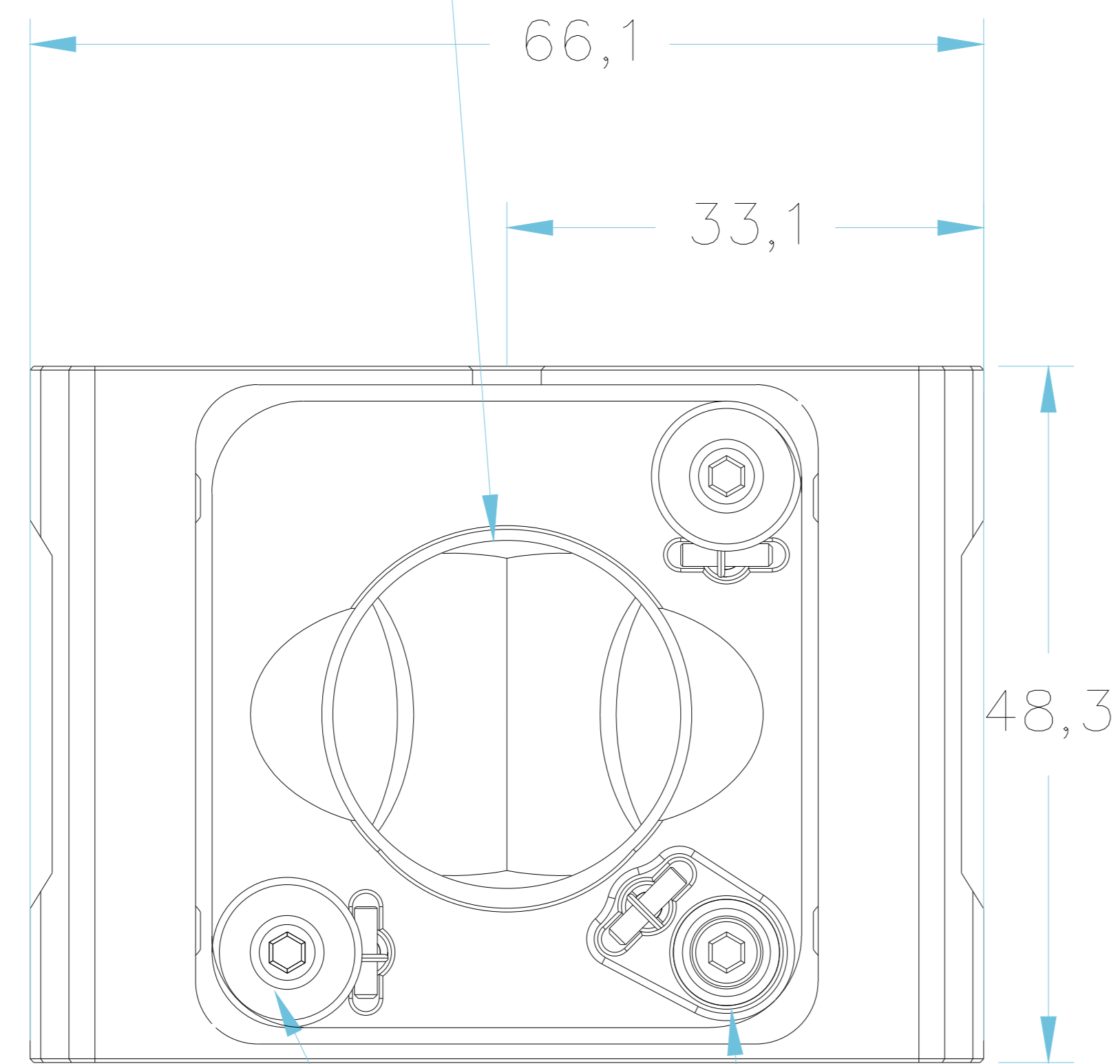


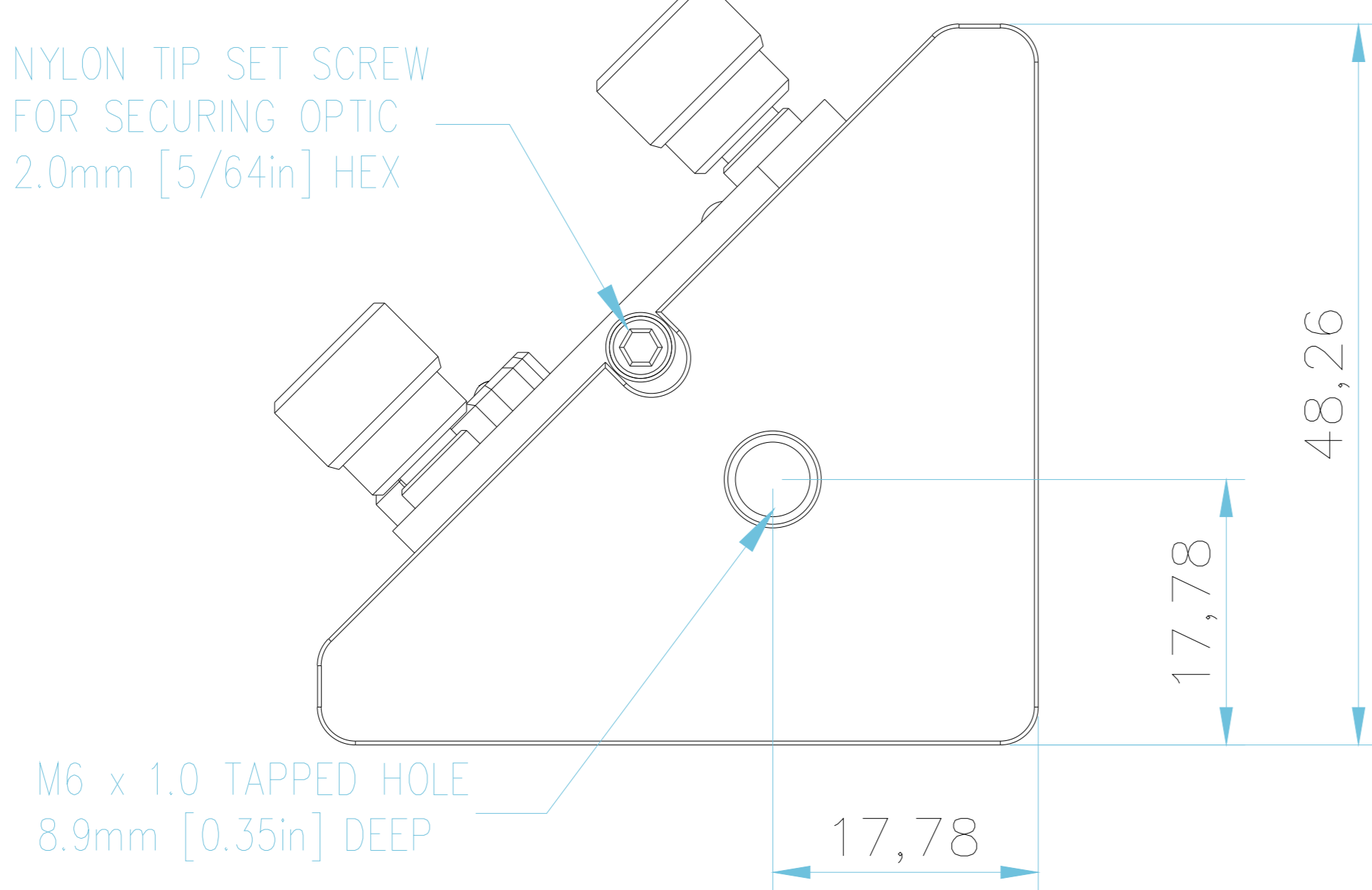
ACCEPTS  $\varnothing 25.4\text{mm}$  [ $\varnothing 1.00\text{in}$ ] OPTICS  
 $\varnothing 24.1\text{mm}$  [ $\varnothing 0.95\text{in}$ ] THRU TO CENTER



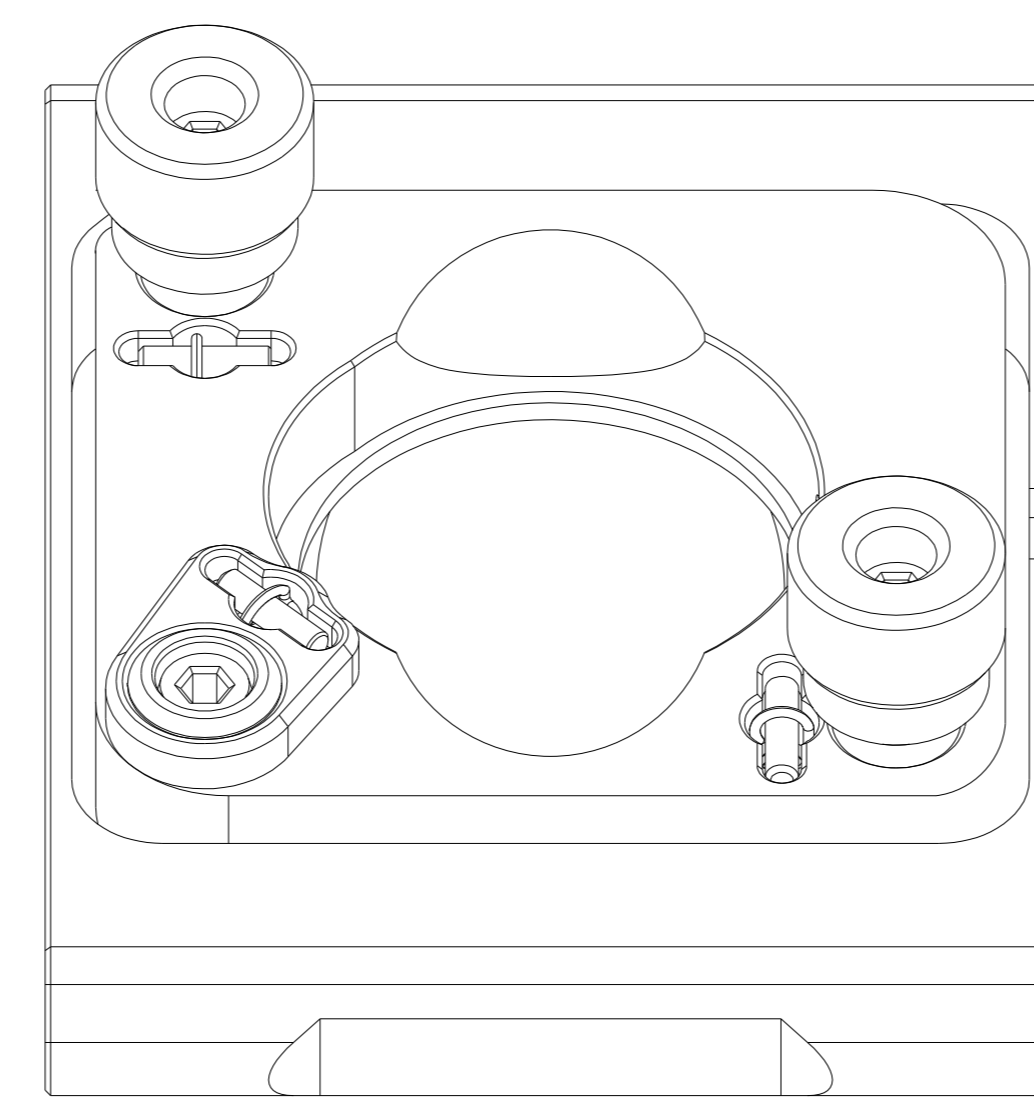
3/16in-100  
 ACTUATOR PROVIDES MIRROR SURFACE TRANSLATION  
 2.0mm [5/64in] HEX

3/16-100 ACTUATOR WITH REMOVABLE KNOB  
 2.0mm [5/64in] HEX  
 2 PLACES

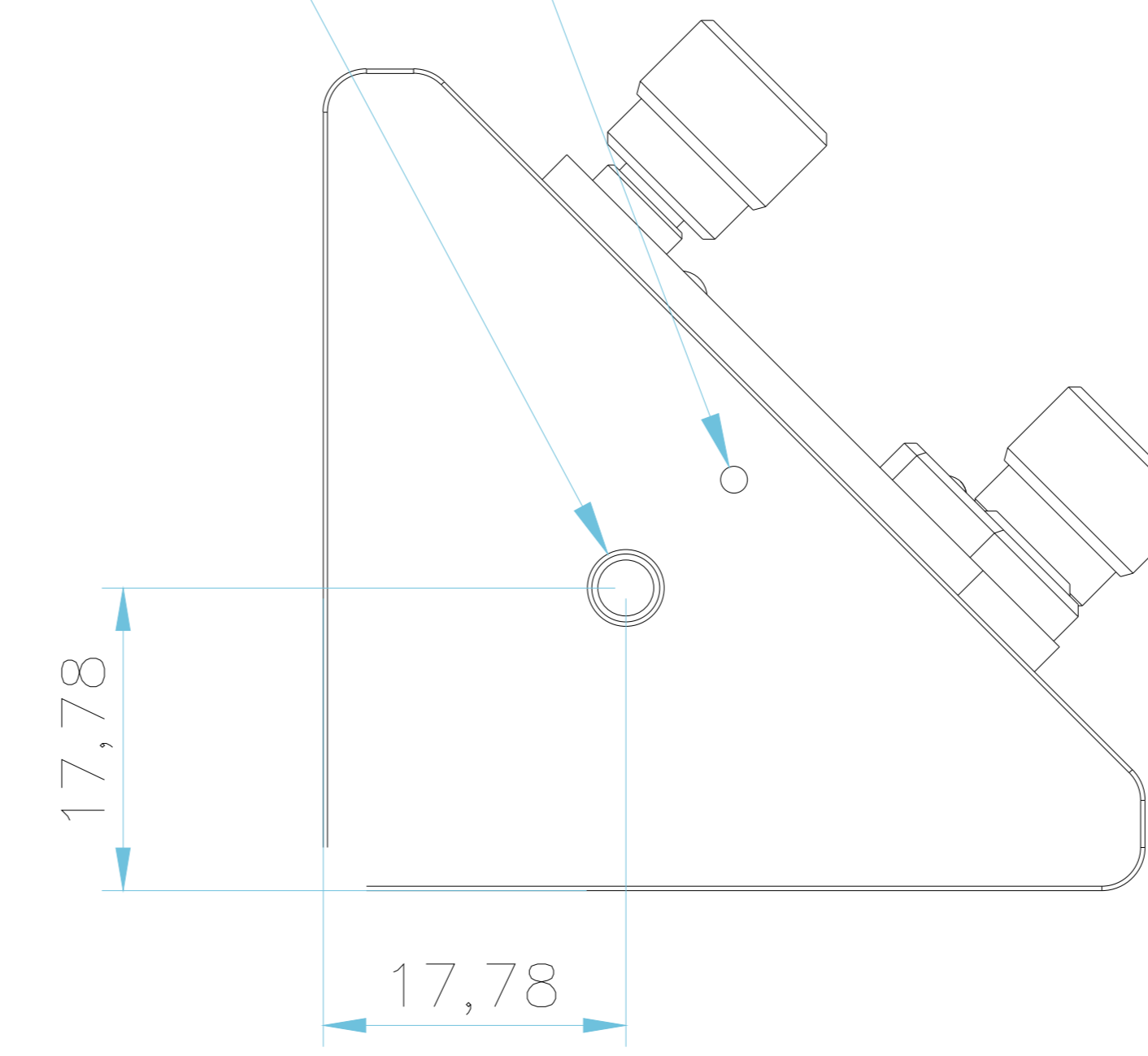
NYLON TIP SET SCREW  
 FOR SECURING OPTIC  
 2.0mm [5/64in] HEX



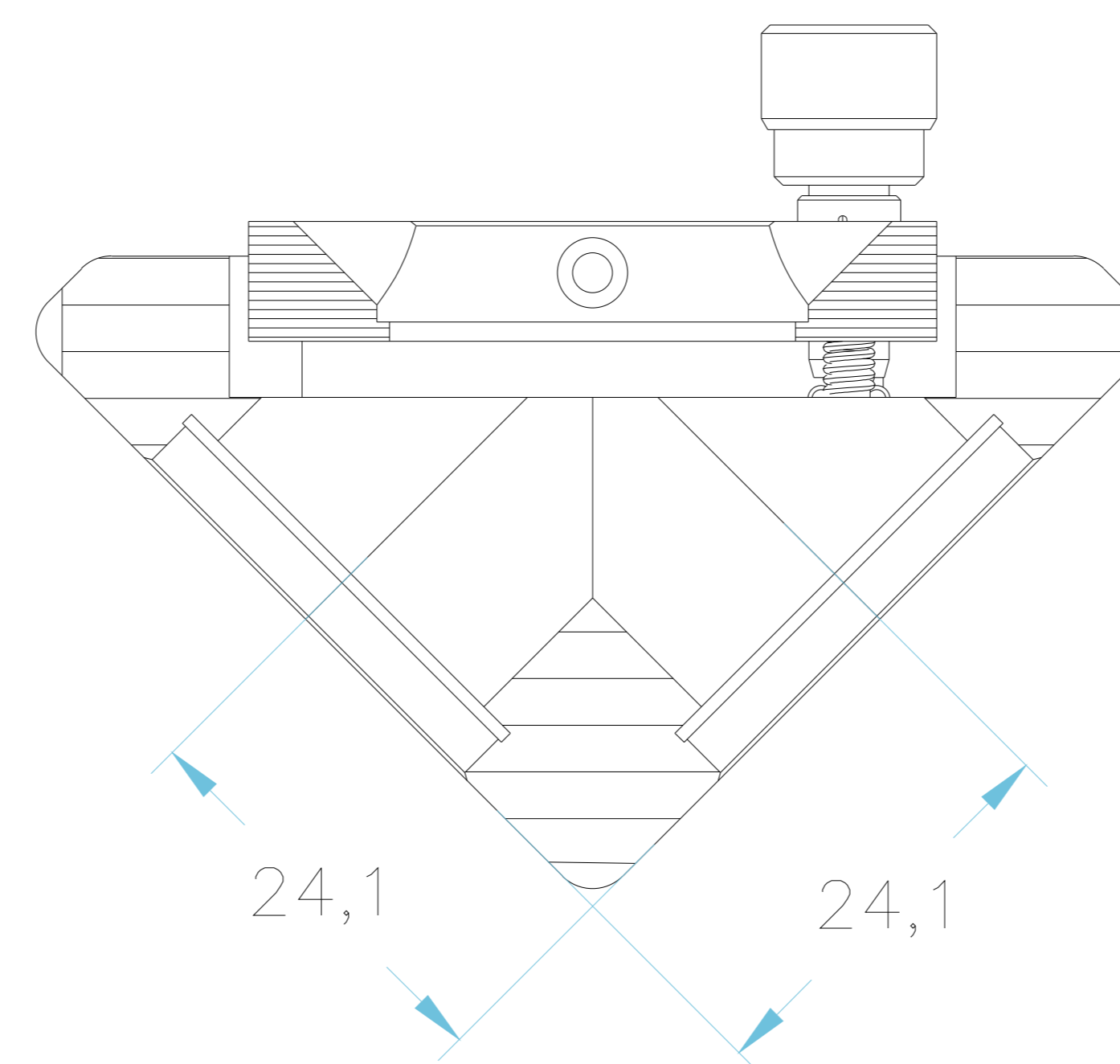
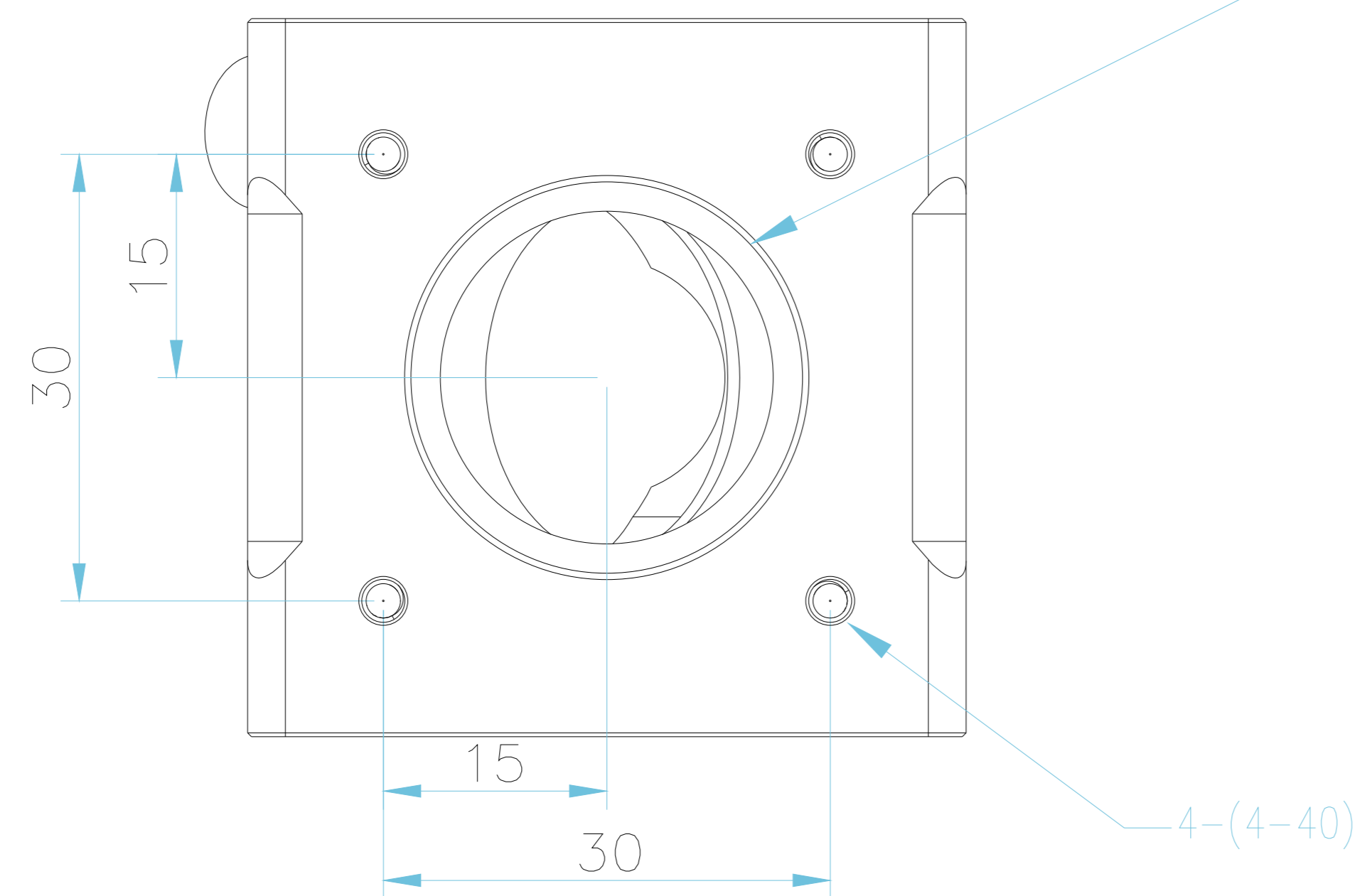
M6 x 1.0 TAPPED HOLE  
 8.9mm [0.35in] DEEP



METRIC ID MARK  
 M4 x 0.7 TAPPED HOLE  
 6.4mm [0.25in] DEEP



$\varnothing 26.3$  [ $\varnothing 1.03$ ]mm [ $\varnothing 1.04\text{in}$ ] THRU TO OPTIC FACE  
 SM1 ( $\varnothing 1.035-40$ ) SERIES INTERNAL THREAD  
 0.15in [3.8mm] DEEP  
 2 PLACES @ 90° SEPARATION



DRAWING PROJECTION		 Optics Experiment and Basic Teaching	
DATE	2017/8/19		
KCD1L-M1 笼式直角调整架SM1 (4-40螺纹) 装配图			
www.Oeabt.com	MATERIAL #		REV
COPYRIGHT ©2019 BY Oeabt			A
VALUE IN PARENTHESIS ARE CALCULATED AND MAY CONTAIN ROUND OFF ERRORS		APPROX WEIGHT	kg