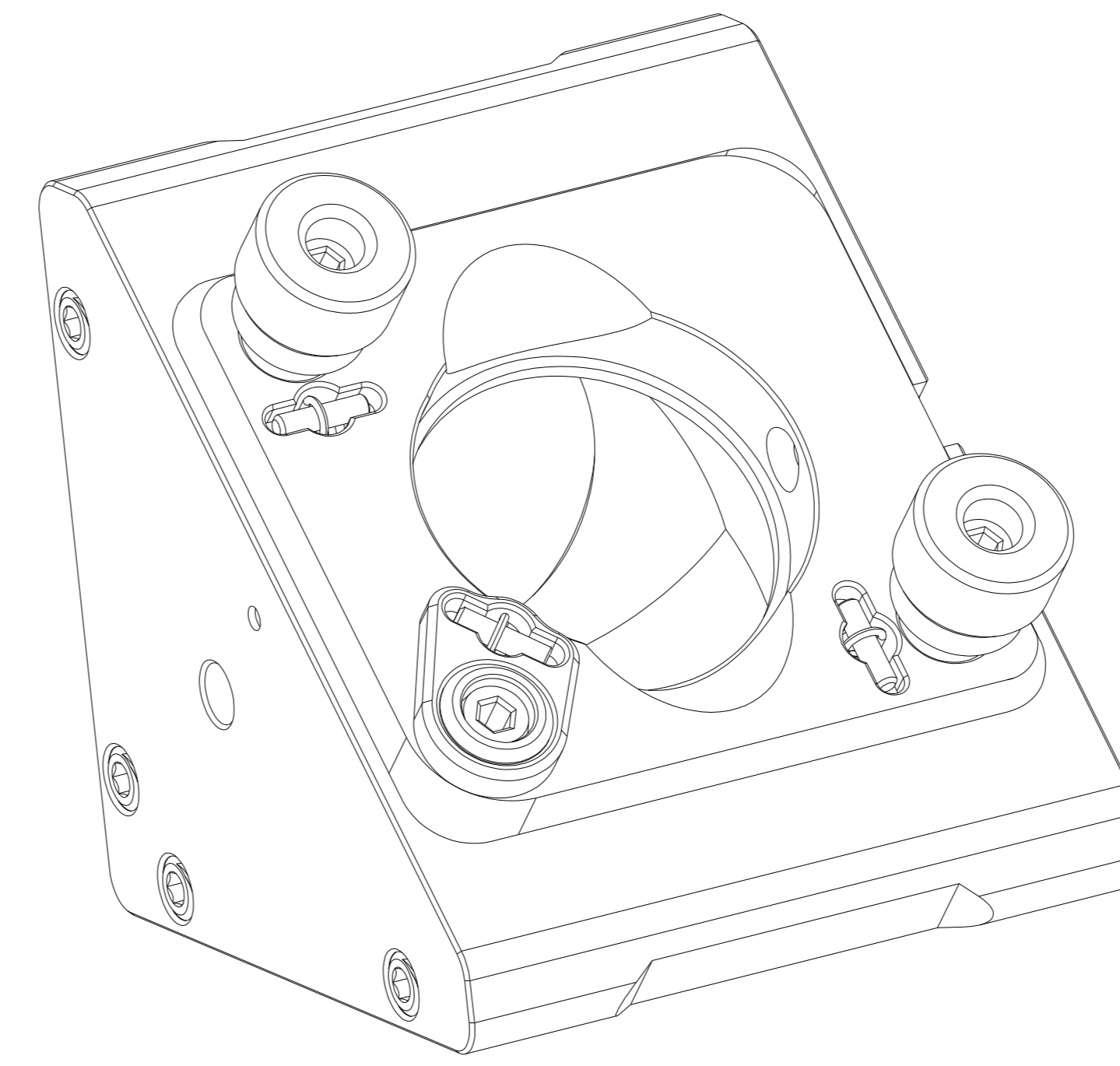
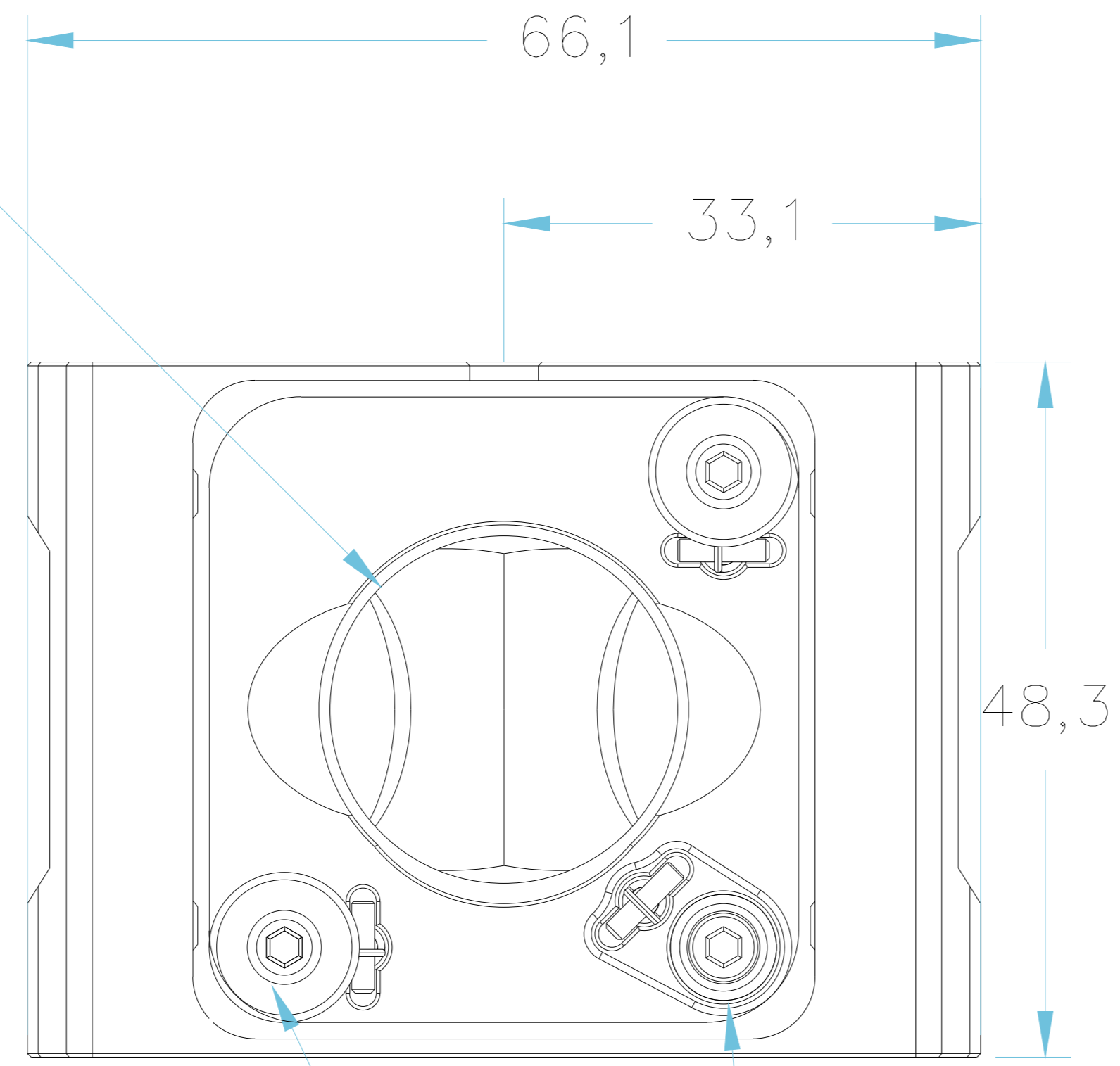


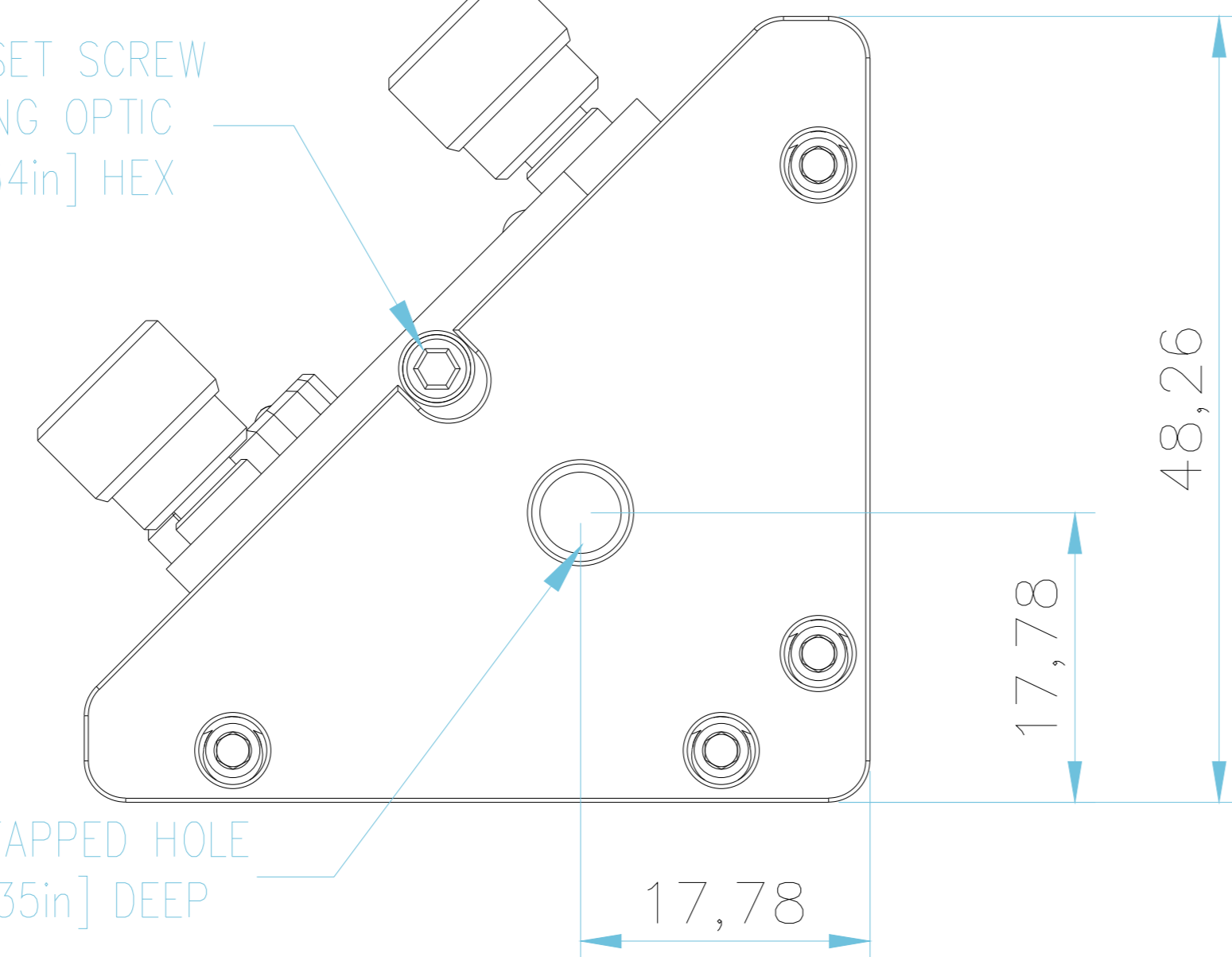
ACCEPTS  $\varnothing 25.4\text{mm}$  [ $\varnothing 1.00\text{in}$ ] OPTICS  
 $\varnothing 24.1\text{mm}$  [ $\varnothing 0.95\text{in}$ ] THRU TO CENTER



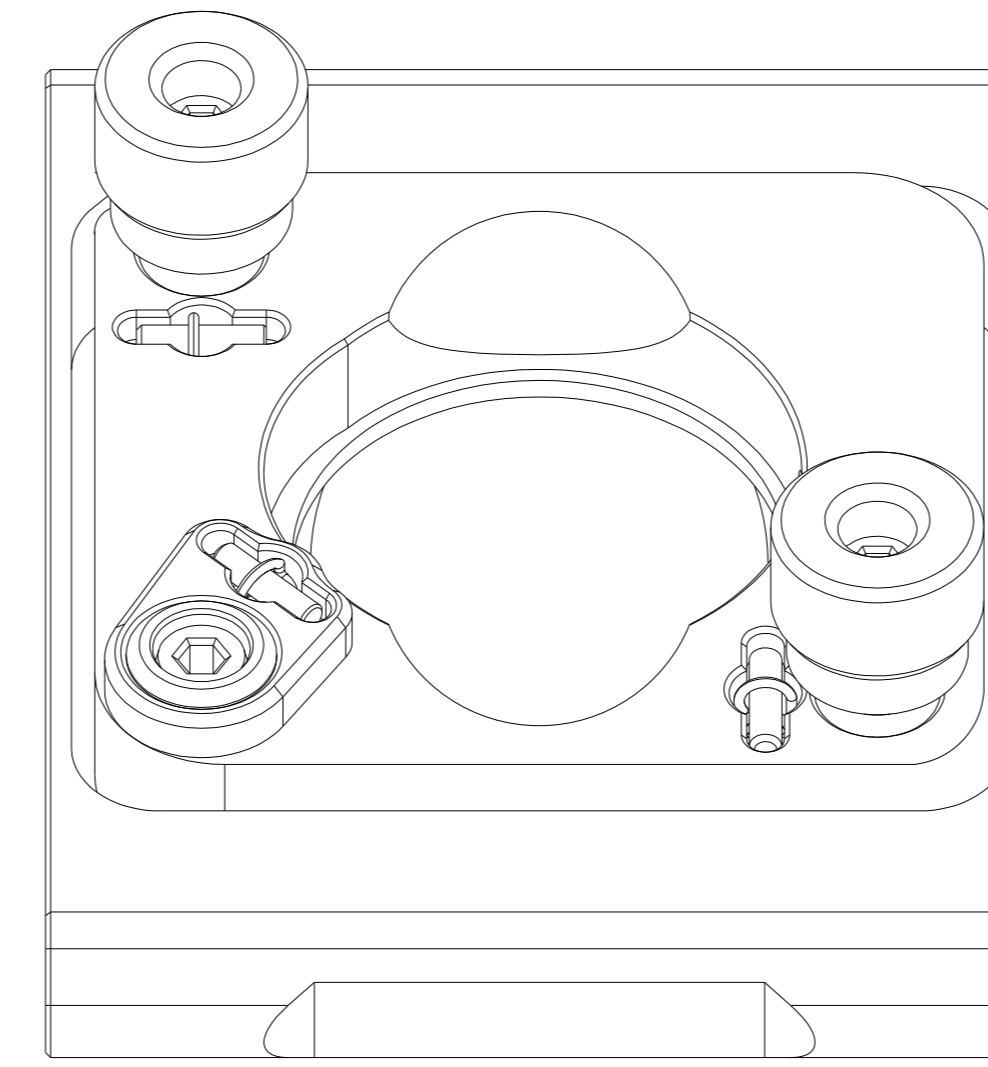
3/16in-100  
 ACTUATOR PROVIDES MIRROR SURFACE TRANSLATION  
 2.0mm [5/64in] HEX

3/16-100 ACTUATOR WITH REMOVABLE KNOB  
 2.0mm [5/64in] HEX  
 2 PLACES

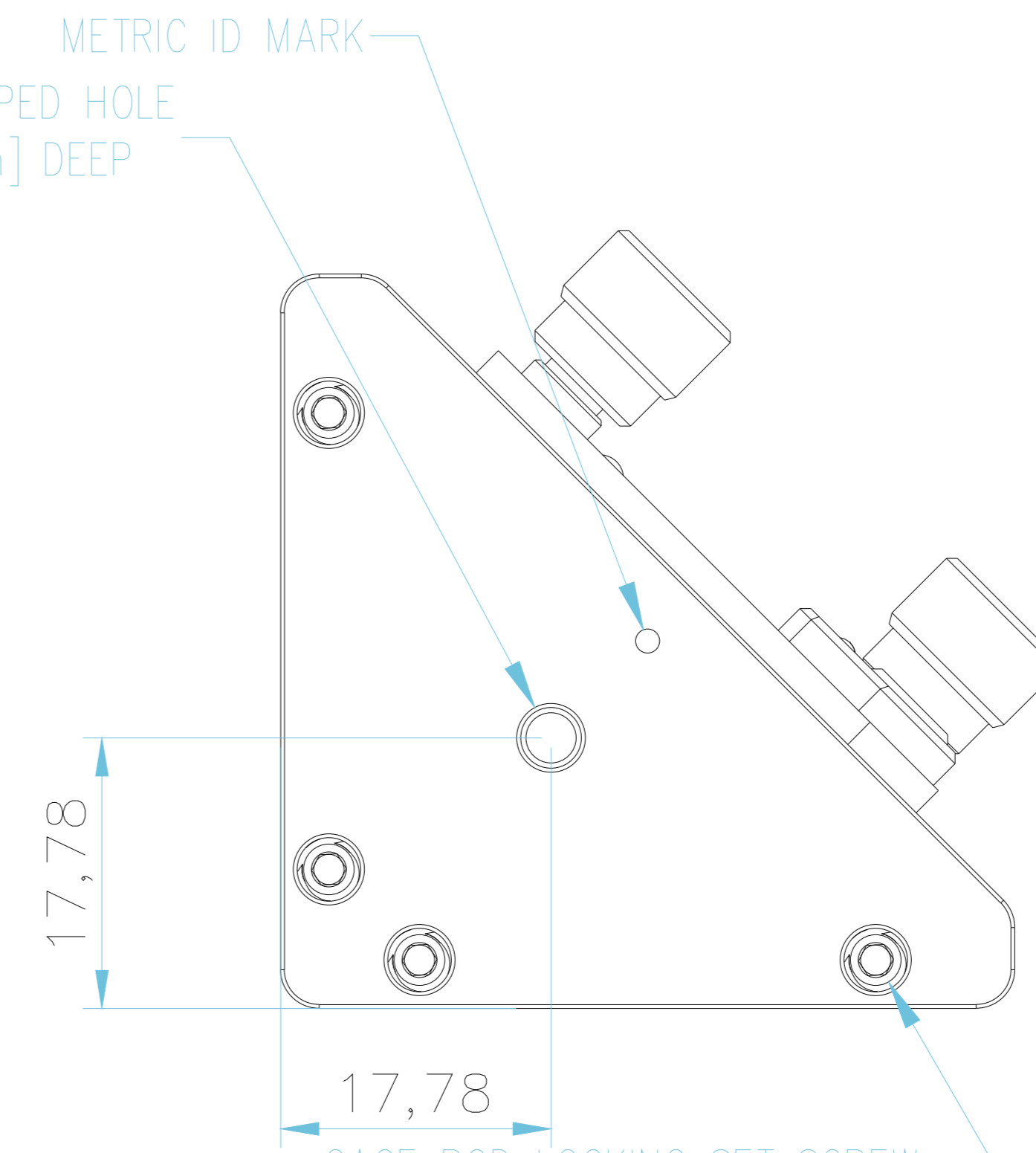
NYLON TIP SET SCREW  
 FOR SECURING OPTIC  
 2.0mm [5/64in] HEX



M6 x 1.0 TAPPED HOLE  
 8.9mm [0.35in] DEEP

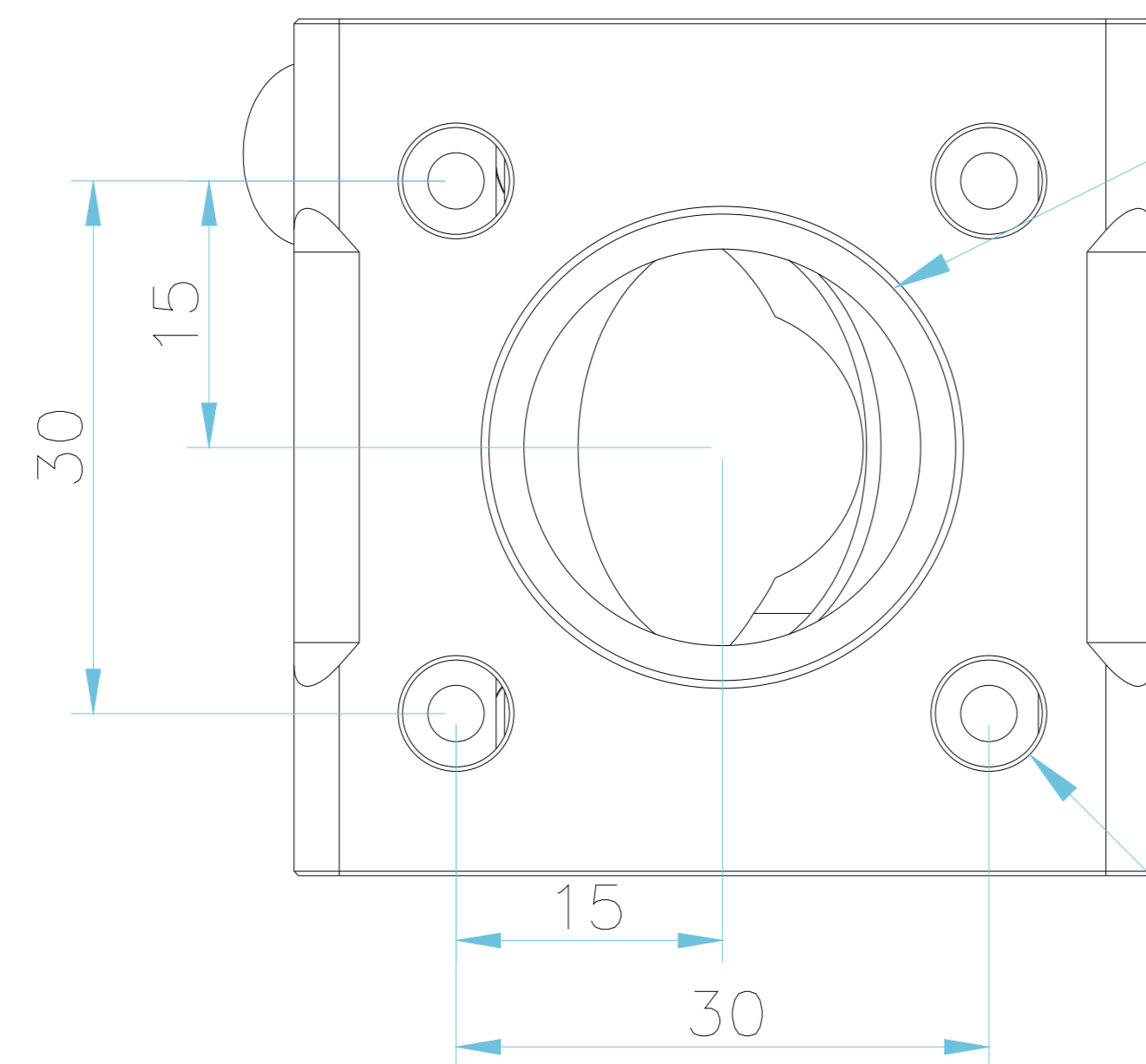


M4 x 0.7 TAPPED HOLE  
 6.4mm [0.25in] DEEP

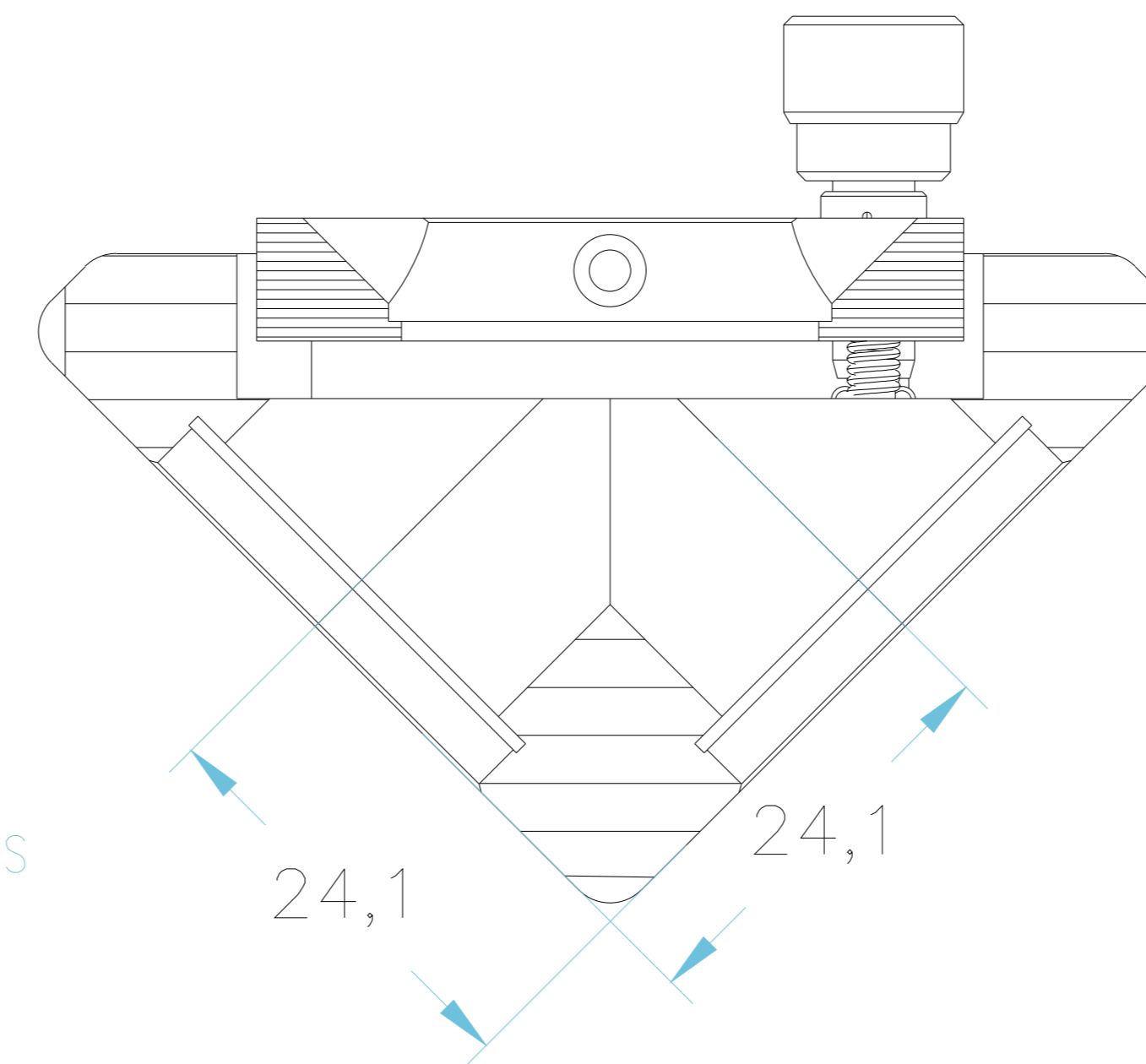


CAGE ROD LOCKING SET SCREW  
 2.0mm [5/64in] HEX  
 4 PLACES, BOTH SIDES

$\varnothing 26.3\text{mm}$  [ $\varnothing 1.04\text{in}$ ] THRU TO OPTIC FACE  
 SM1 ( $\varnothing 1.035-40$ ) SERIES INTERNAL THREAD  
 0.15in [3.8mm] DEEP  
 2 PLACES @ 90° SEPARATION



$\varnothing 0.24\text{in}$  [ $\varnothing 6.0\text{mm}$ ]  
 CAGE ROD BORE  
 6.4mm [0.25in] DEEP  
 FOR USE WITH ER SERIES RODS  
 (NOT INCLUDED)  
 8 PLACES TOTAL, 4 PER SIDE



DRAWING PROJECTION			
DATE	2017/8/1 9 星期六	Optics Experiment and Basic Teaching	
KCD1L-M 笼式直角调整架SM1 (M6通孔) 装配图			
www.Oeabt.com	MATERIAL #		REV
COPYRIGHT ©2019 BY Oeabt			A
VALUSE IN PARENTHESIS ARE CALCULATED AND MAY CONTAIN ROUND OFF ERRORS		APPROX WEIGHT	kg