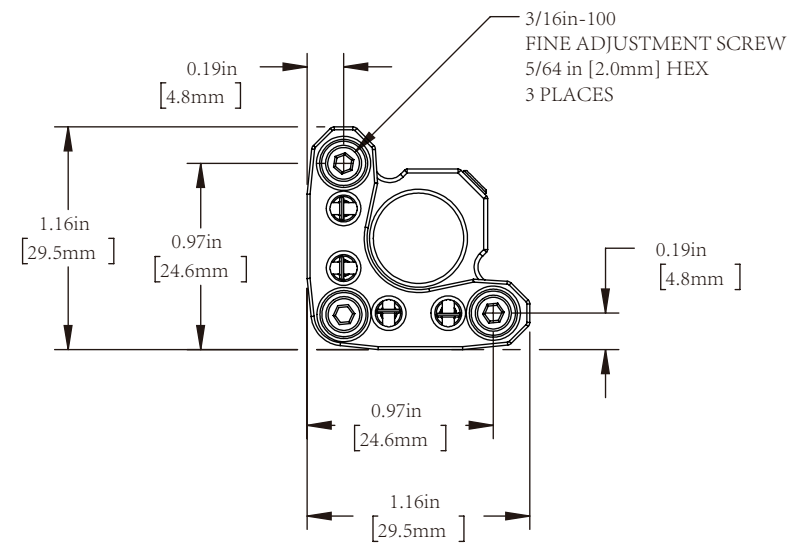
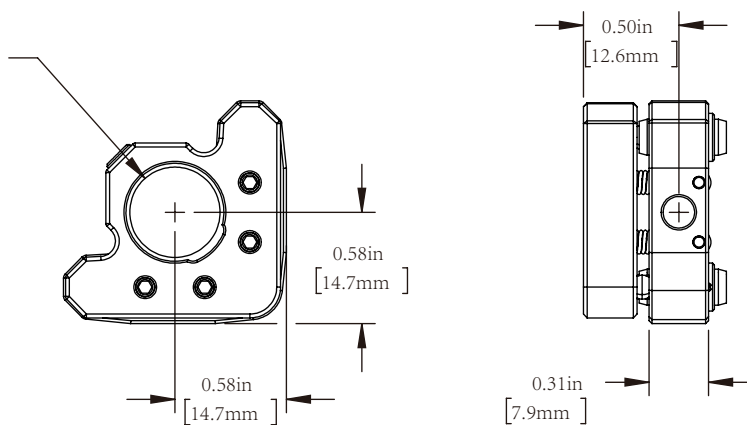
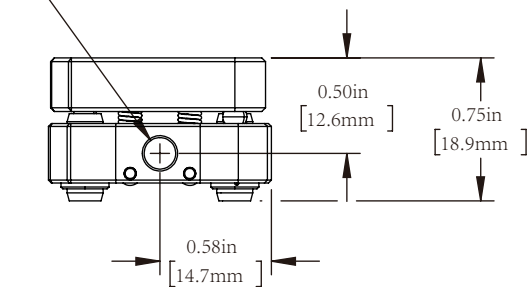


$\varnothing 0.51$ in [13.0mm]
0.21in [5.3mm] DEEP
 $\varnothing 0.47$ in [$\varnothing 11.9$ mm] CLEAR APERTURE



MOUNTING HOLE THRU
2 PLACES



DRAWING PROJECTION Φ			
DATE	15/10/20	Optics Experiment and Basic Teaching	
MS-A12			
www.Oeabt.com	MATERIAL #		REV
COPYRIGHT © 2020 BY Oeabt			A
VALUE IN PARENTHESIS ARE CALCULATED AND MAY CONTAIN ROUND OFF ERRORS			APPROX WEIGHT kg