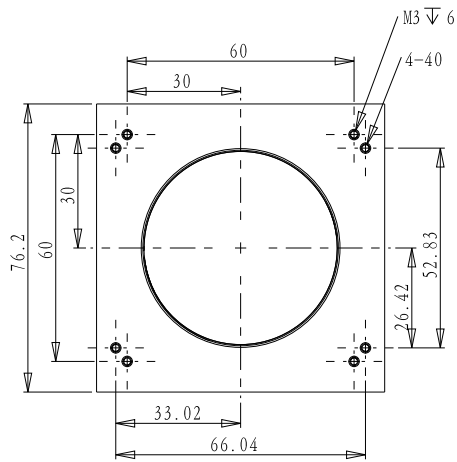
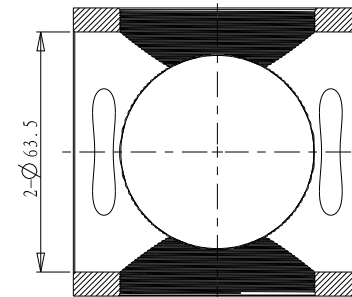
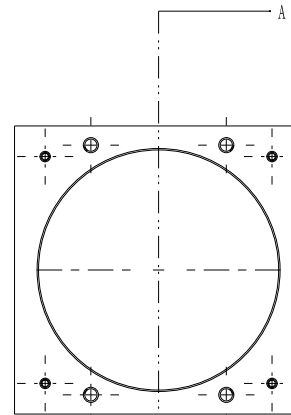


两面螺丝孔一样

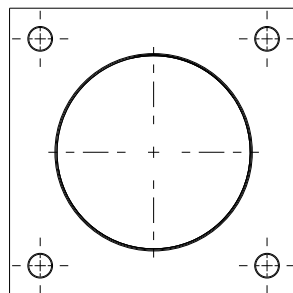
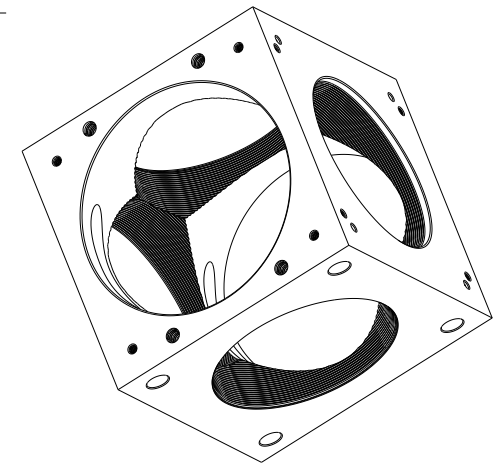
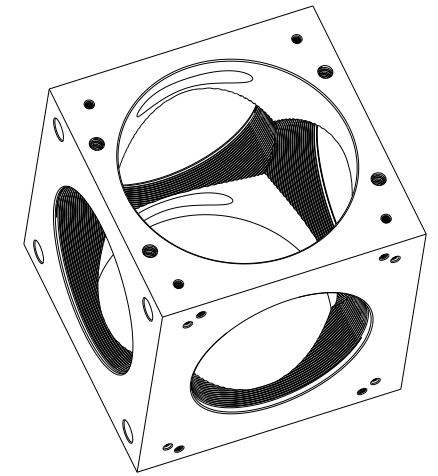


两面螺丝孔一样



截面 A-A

4-SM2(2.035-40)



DRAWING PROJECTION		 Optics Experiment and Basic Teaching	
DATE	26/03/20		
CSL60-M2			
www.Oeabt.com	MATERIAL #		REV
COPYRIGHT © 2020 BY Oeabt			A
VALUE IN PARENTHESIS ARE CALCULATED AND MAY CONTAIN ROUND OFF ERRORS		APPROX WEIGHT	kg