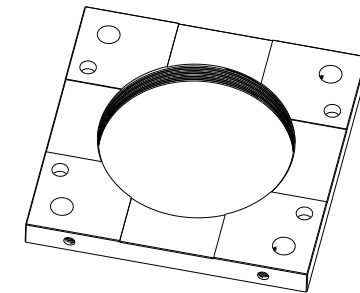
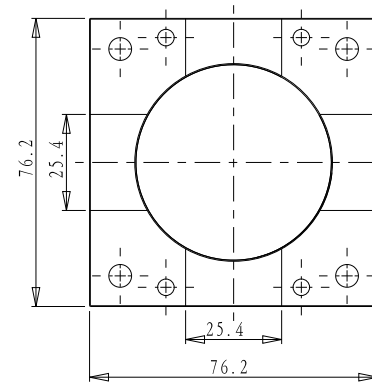
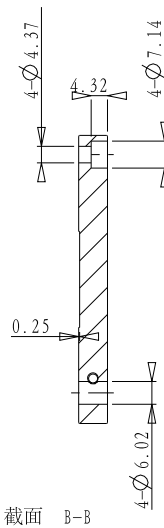
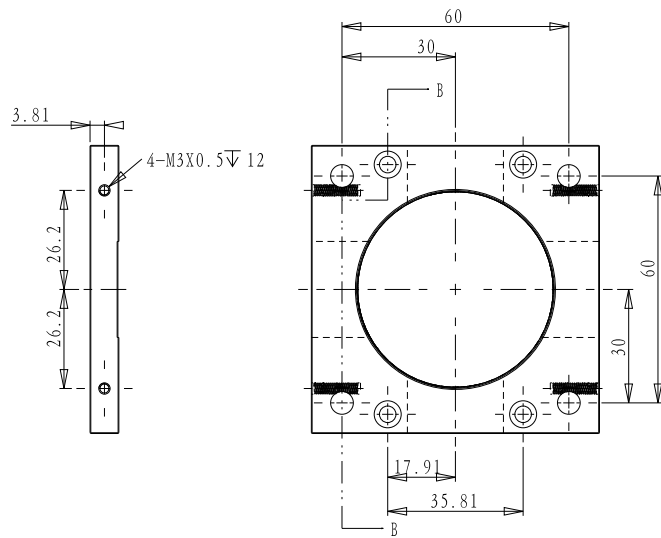
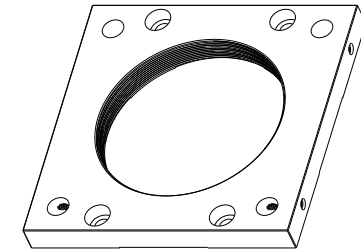



截面 A-A



比例 0.500

DRAWING PROJECTION $\Phi$ $\blacktriangleright$			
DATE	22/07/20		
CSJ-T2			
www.Oeabt.com	MATERIAL #		REV
COPYRIGHT © 2020 BY Oeabt			A
VALUE IN PARENTHESIS ARE CALCULATED AND MAY CONTAIN ROUND OFF ERRORS		APPROX WEIGHT	kg