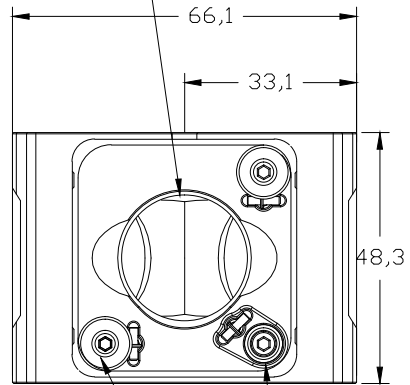
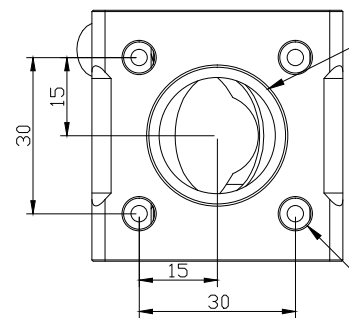


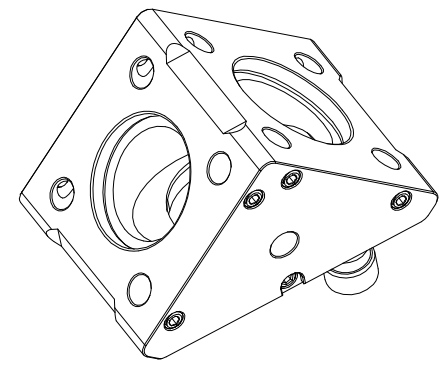
ACCEPTS Ø25.4MM[Ø1.00IN]OPTICS
Ø24.1MM[Ø0.95IN]THRU TO CENTER



Ø26.3MM [Ø1.04IN] THRU TO OPTIC FACE
SM1(Ø1.035-40)SERIES INTERNAL THREAD
0.15IN [3.8MM] DEEP
2 PLACES 90° SRPARATION

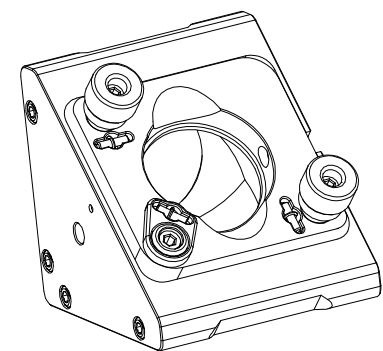


Ø0.24IN[Ø6.0MM]
CAGE ROD BORE
6.4MM [0.25IN] DEEP
FOR USE WITH ER SERIES RODS
(NOT INCLUDED)
8PLACES TOTAL,4 PER SIDE

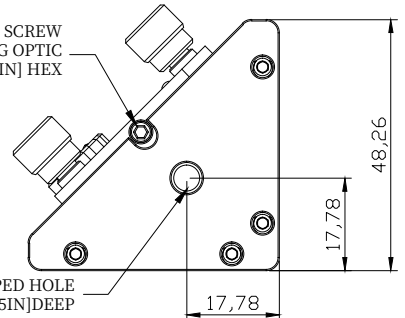
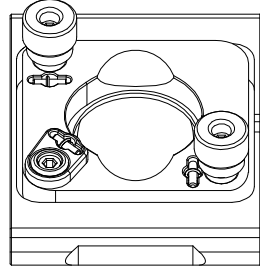


3/16IN-100
ACTATOR PROVIDESMIRROR SURFACE THANSLATION
2.0MM [5/64IN] HEX

3/16-100 ACTATOR WITH REMOVABLE KNOB
2.0MM [5/64IN] HEX
2 PLACES



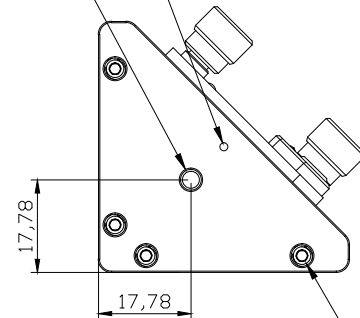
NYLON TIP SET SCREW
FOR SECURING OPTIC
2.00[6/64IN] HEX



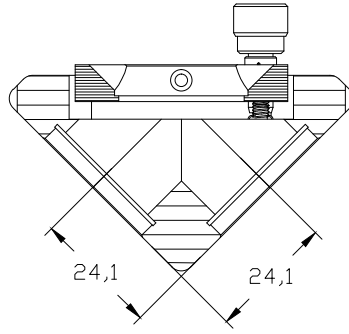
M6*1.0 TAPPED HOLE
8.9MM [0.35IN]DEEP


M4*0.7 TAPPED HOLE
6.4MM [0.25IN] DEEP

METRIC ID MARK



CAGE ROD LOCKING SET SCREW
2.0MM [5/64IN] HEX
4 PLACES,BOTH SIDES



DRAWING PROJECTION Φ \blacktriangleright		 Optics Experiment and Basic Teaching	
DATE	24/09/19		
KCD1L-M			
www.Oeabt.com	MATERIAL #		REV
COPYRIGHT © 2019 BY Oeabt			A
VALUE IN PARENTHESIS ARE CALCULATED AND MAY CONTAIN ROUND OFF ERRORS		APPROX WEIGHT	kg