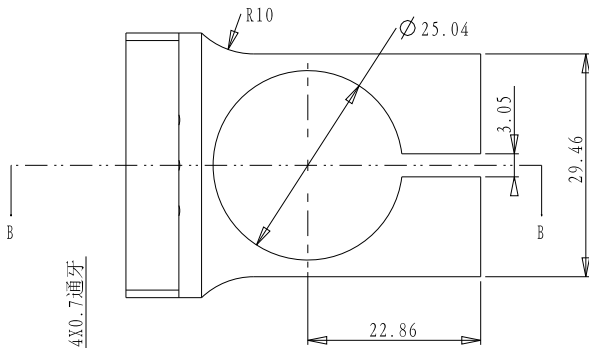
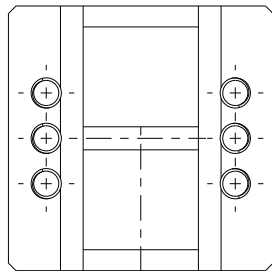
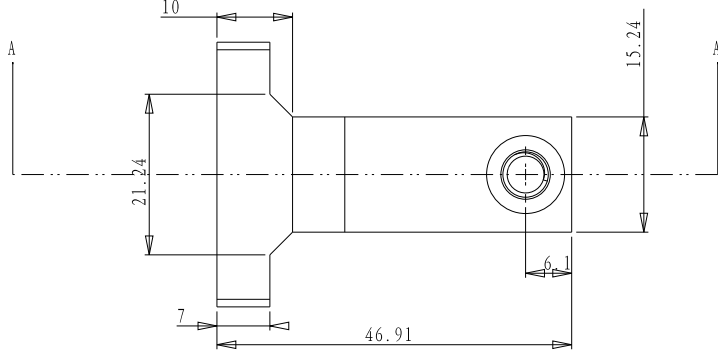
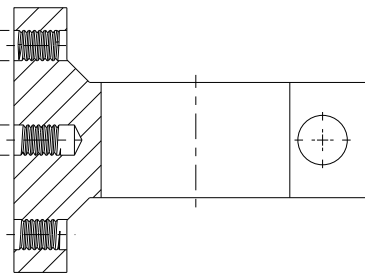


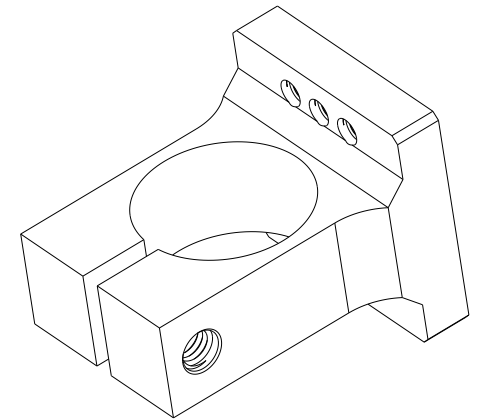
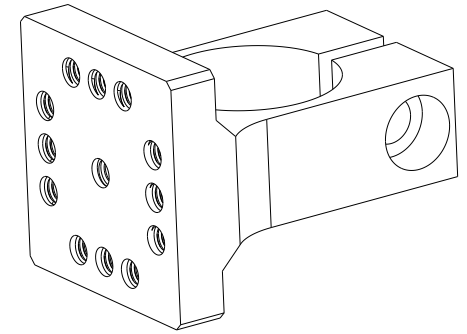
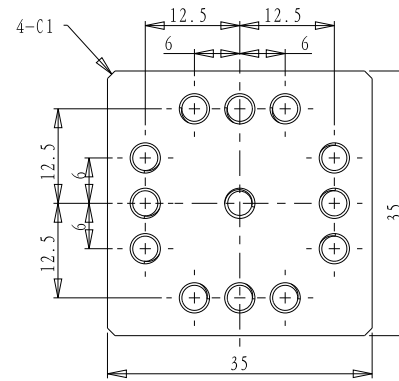
截面 A-A



6-M4X0.7通牙
7-4M4X0.7 8



截面 B-B



DRAWING PROJECTION		 Optics Experiment and Basic Teaching	
DATE	02/03/20		
CFP-A25			
www.Oeabt.com	MATERIAL #		REV
COPYRIGHT © 2020 BY Oeabt			A
VALUSE IN PARENTHESIS ARE CALCULATED AND MAY CONTAIN ROUNDOFF ERRORS		APPROX WEIGHT	kg