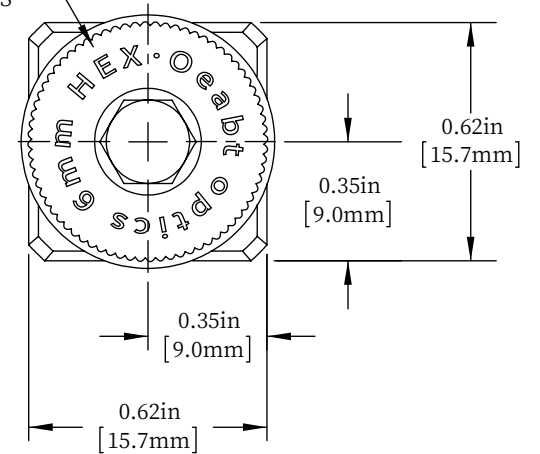


Ø0.70in [Ø17.9mm]  
KNURLED THUMBSCREW  
FOR SECURING OF TR SERIES POST  
3/16in HEX BOTH SIDES



FOR INFORMATION ONLY  
NOT FOR MANUFACTURING PURPOSES

DRAWING PROJECTION			
DATE	08/01/20	Optics Experiment and Basic Teaching	
PC12-A12			
www.Oeabt.com	MATERIAL #		REV
COPYRIGHT © 2020 BY Oeabt			A
VALUE IN PARENTHESIS ARE CALCULATED AND MAY CONTAIN ROUND OFF ERRORS			APPROX WEIGHT kg